

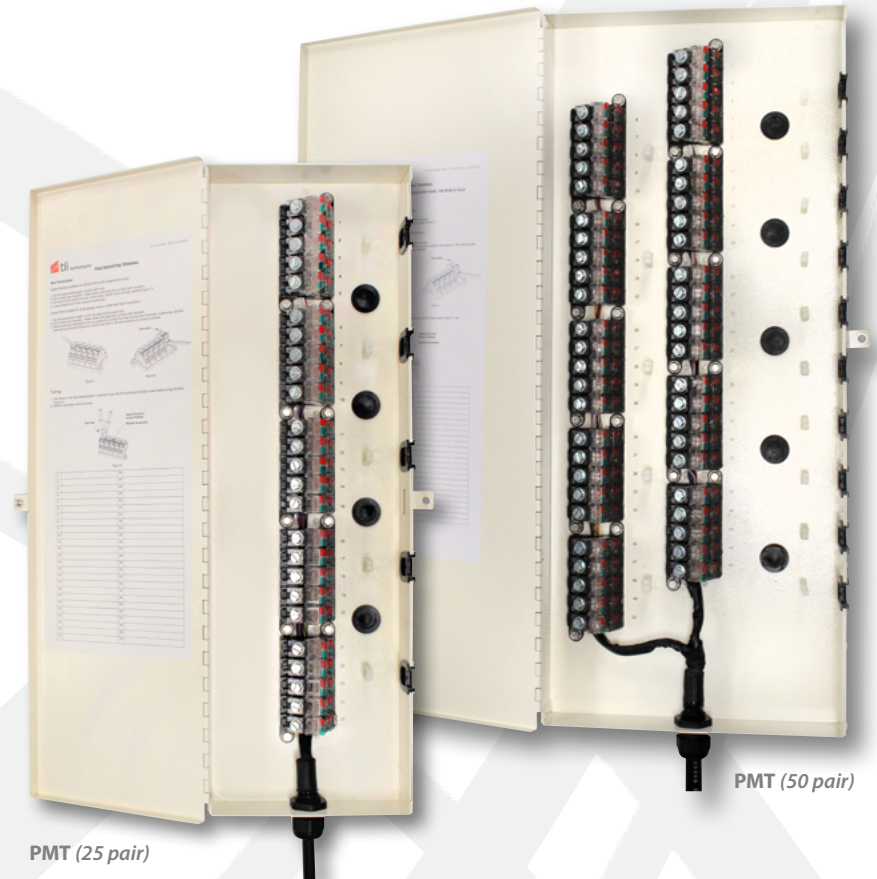
PMT Series

Aerial Pole Mounted Terminals

CPE/Premise Wiring

MDU

Utility/Municipality



PMT (25 pair)

PMT (50 pair)

PMT Series are unprotected pole mounted terminals utilizing Tii's gel sealed tool-less IDC connections. The connectivity modules support drop wires from 18-24 AWG without the need to strip the insulation. The units are available from ten to fifty pairs in a high density, craft friendly design.

KEY PRODUCT BENEFITS

- ▶ Simple installation
- ▶ Tool-less IDC connections
- ▶ Connections are gel sealed against the environment
- ▶ Dual IDCs supports 18-24 AWG drop wires
- ▶ Aluminum construction will not rust
- ▶ Beige powdercoat finish
- ▶ Air dammed stub for pressurized systems
- ▶ High density, craft friendly design

INDUSTRY STANDARDS

- ▶ Telcordia TR-NWT-000975 and TR-NWT-000979



Tii Technologies Inc.

Corporate Headquarters:

141 Rodeo Drive
Edgewood, NY 11717

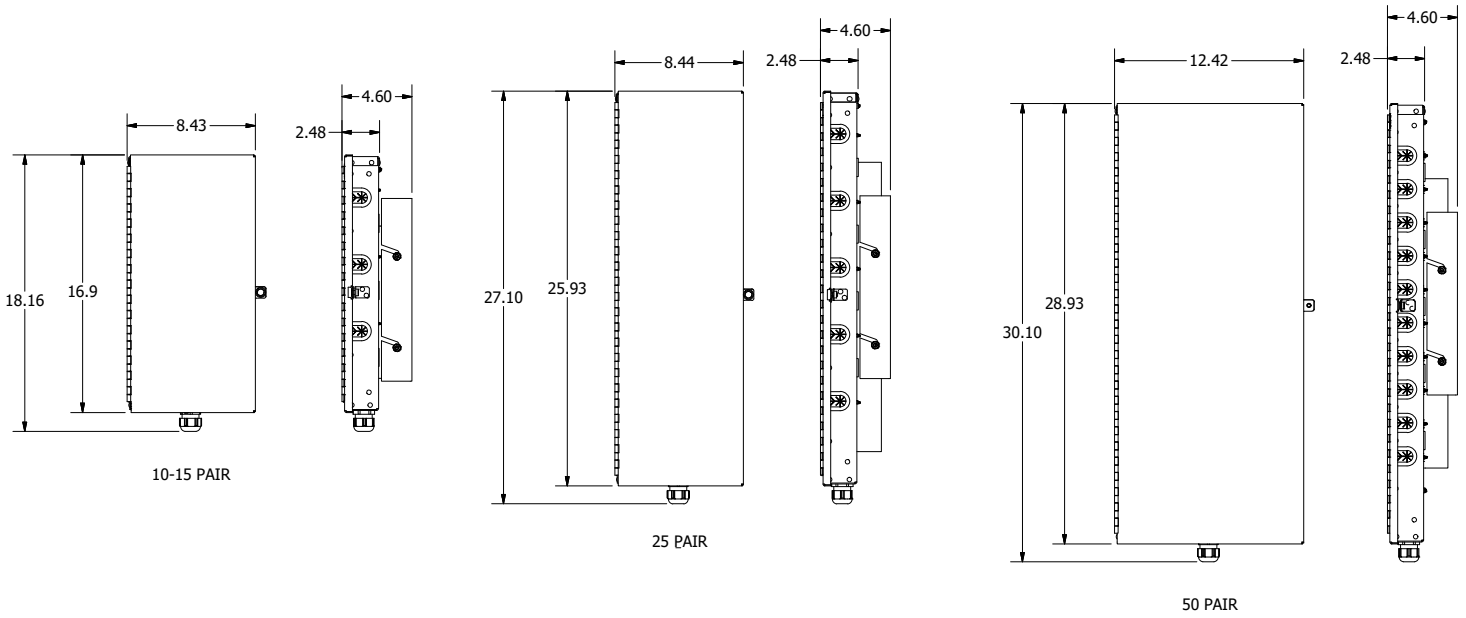
Phone: 631.789.5000

Fax: 631.789.5063

Toll Free: 888.844.4720

sales@tiitech.com

PMT Series



Dimensions are in Inches

ORDERING INFORMATION

PMT	XX Pairs	XX Stub Length in Feet	XX Customer Specific
	10	12	
	15	25	
	25		
	50		