

DVC-4 Series

Four-Line Digital Voice Connector

CPE/Premise Wiring
Headend/CO
MDU



DVC-4

The Tii DVC-4, four line digital voice connector, distributes EMTA connections to customer's telephone lines through sealed IDC rocker assemblies.

KEY PRODUCT BENEFITS

- ▶ Tool-less IDC/rocker for telephone wire connections
- ▶ Readily accessible test ports for line verification
- ▶ RJ-31X security jack diverts line 1 through the local security panel (Product is also available without the RJ-31X, Model# DVC-4-X)
- ▶ Mounts to any dry/flat surface with integral screw down tabs
- ▶ The RJ-31X provides a series connection to the tip and ring conductors of line one on the DVC-4. The jack is wired ahead of all station equipment electrically and is typically used with registered alarm-reporting devices. When an alarm condition occurs, the RJ-31X functions to cut off all station equipment wired into the home or business.

INDUSTRY STANDARDS

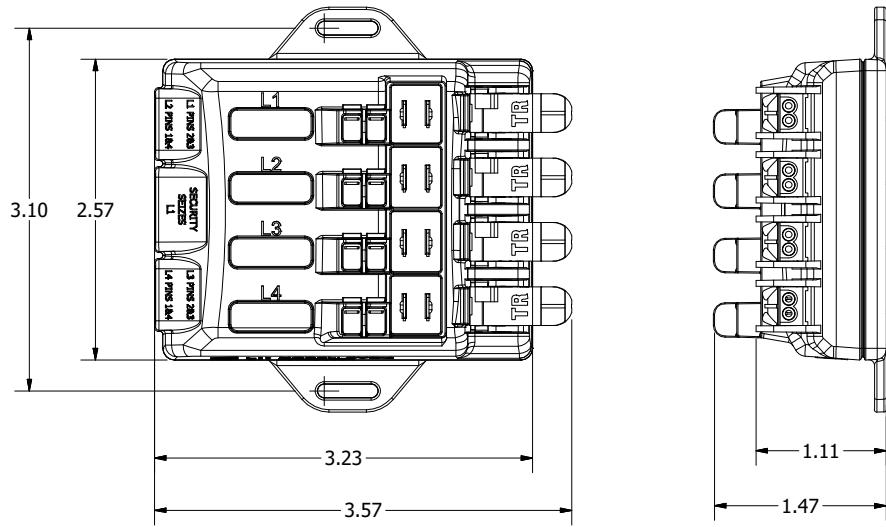
- ▶ Listed to UL 1863



Tii Technologies Inc.

Corporate Headquarters:
141 Rodeo Drive
Edgewood, NY 11717
Phone: 631.789.5000
Fax: 631.789.5063
Toll Free: 888.844.4720
sales@tiitech.com

DVC-4 Series



Dimensions are in Inches

ORDERING INFORMATION

Model No.	Description	Standard Pkg.
DVC-4	Four Line Digital Voice Connector	20 pieces
DVC-4-X	Four Line Digital Voice Connector without RJ-31X	0.12 lbs. each