

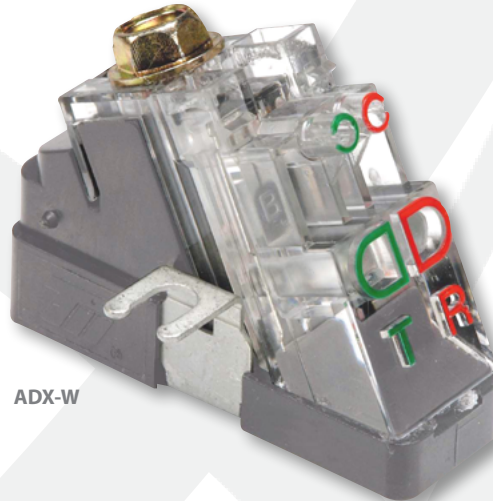
## ADX-W

### *Sealed Unprotected Cross-Connect Module*

CPE/Premise Wiring

Headend/CO

MDU



Tii's Angle Driver® ADX-W Cross-Connect Module provides a convenient cross-connect function with sealed IDC terminations in a standard 355/356 station protector footprint.

#### KEY PRODUCT BENEFITS

- ▶ Fully compatible with a wide range of high-speed digital networks.
- ▶ IDC connections require no stripping of wire insulation for terminating.
- ▶ The module has two ports for small gauge (22-26 AWG) customer side wire terminations and two ports that accept large gauge (18-19 AWG) or small gauge (22-24 AWG) wire for service side tip/ring connections
- ▶ All tip/ring connections are environmentally sealed
- ▶ This cross-connect module may be employed in a variety of single and multiple pair housings and can be used to retrofit or service upgrade existing assemblies already installed in the field
- ▶ The cross-connect module is supplied with a unique snap-off ground tab, which allows multiple mounting arrangements, and provides easy wire management

#### INDUSTRY STANDARDS

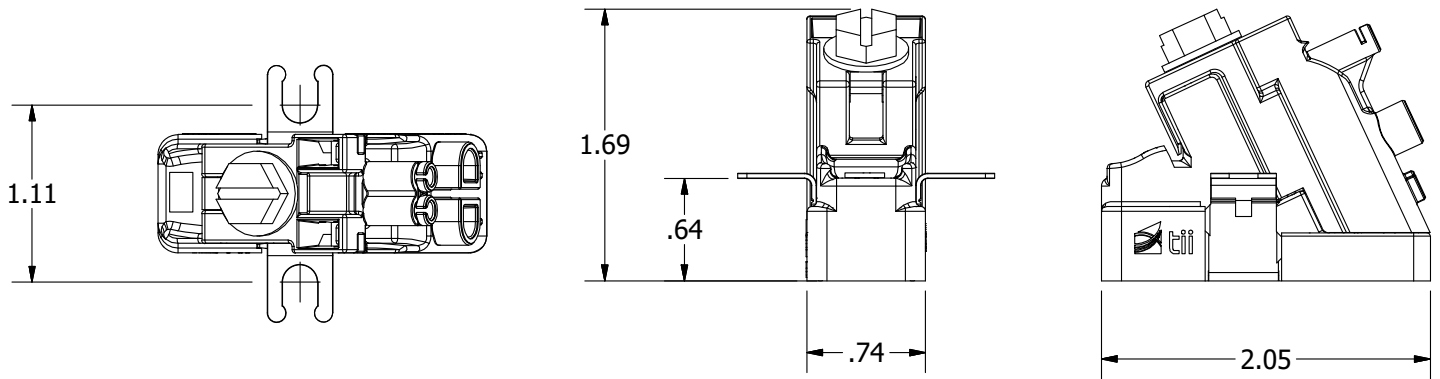
- ▶ Exceeds transmission requirements of Telcordia GR-974-CORE for high-speed digital subscriber line networks
- ▶ Listed to UL 1863
- ▶ Meets sealing requirements of Telcordia TR-NWT-000975
- ▶ Meets Telcordia TR-NWT-001195 Generic Requirements for IDC Cross-Connect and Terminal Blocks



**Tii Technologies Inc.**

**Corporate Headquarters:**

141 Rodeo Drive  
Edgewood, NY 11717  
Phone: 631.789.5000  
Fax: 631.789.5063  
Toll Free: 888.844.4720  
sales@tiitech.com



*Dimensions are in Inches*

## ORDERING INFORMATION

Model No.	Description	Standard Pkg.
<b>ADX-W</b>	Sealed Unprotected Cross-Connect Module With Snap-Off Ground Tab	150 Pieces - 0.09 lbs. each