

90 Series

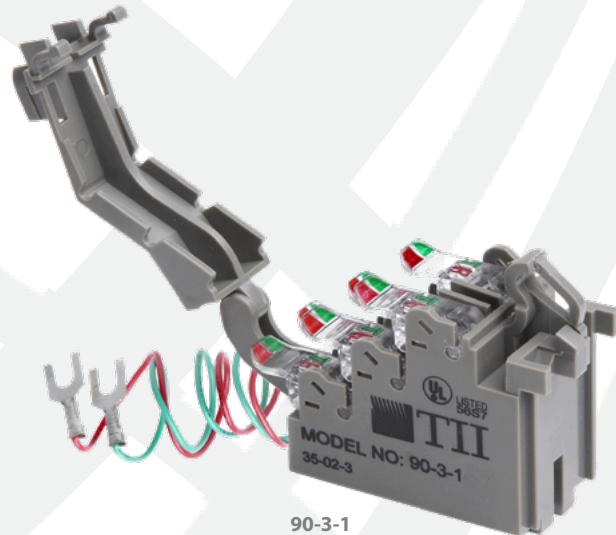
Bridging Modules

CPE/Premise Wiring

Headend/CO

MDU

Utility/Municipality



90-3-1

90 Series Bridging Modules provide terminals for connecting additional “home runs” back to the Network Interface Device (NID). The modules are offered with either screw terminations (twelve home runs) or sealed IDC terminations (six home runs).

KEY PRODUCT BENEFITS

- ▶ Module installs into the NID below an existing Customer Bridge Module (CBM) making use of its RJ-11 test receptacle
- ▶ Terminals and wire leads color coded for easy recognition and installation
- ▶ Standard network footprint design makes module compatible with all Tii NIDs

INDUSTRY STANDARDS

- ▶ Listed to UL 1863



Tii Technologies Inc.

Corporate Headquarters:

141 Rodeo Drive
Edgewood, NY 11717

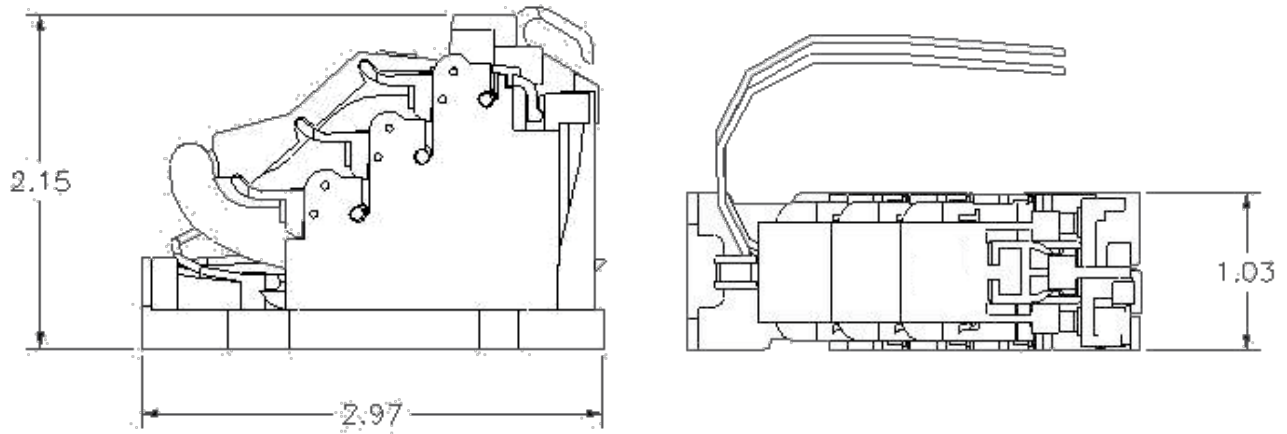
Phone: 631.789.5000

Fax: 631.789.5063

Toll Free: 888.844.4720

sales@tiitech.com

90 Series



Dimensions are in Inches

ORDERING INFORMATION

90	X	X	X
	Wiring Type	Input Terminations	Adapter
	3 = Sealed IDC Terminals	0 = No Connectors 1 = With Spade Connectors	0 = None (fits Tii's 3600/3700/763 footprint) 1 = w/ Adapter (fits CAC 7600 footprint)