

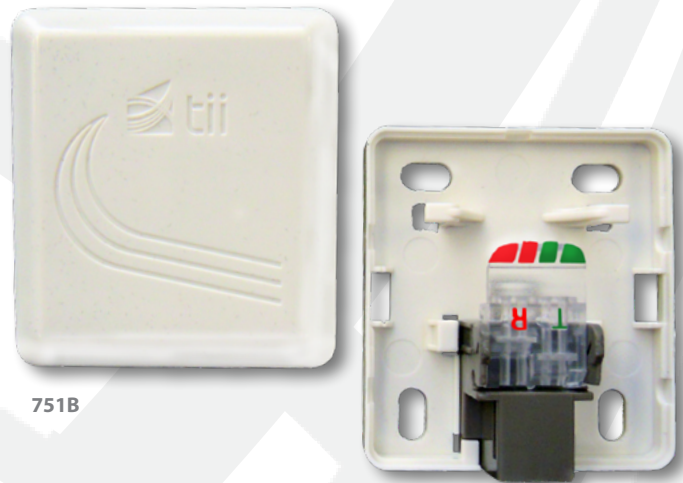
751B

Surface Mount Gel-Sealed Telephone Jack

CPE/Premise Wiring

MDU

Utility/Municipality



751B

The 751B is a single line, indoor gel-sealed unit ideally suited for indoor telephone connections or demarcation applications. The 751B is compact and may be mounted to any suitable flat surface.

KEY PRODUCT BENEFITS

- ▶ Tool-less IDC rocker for telephone wire connections on the inside of jack
- ▶ Integrated strain reliefs for incoming/outgoing wires
- ▶ Gel-sealed RJ-11 jack for environmental robustness
- ▶ Two connection points (total of 4 IDC connections) for each Tip and Ring wires allow "In" and "Out" connectivity for daisy chain topologies

INDUSTRY STANDARDS

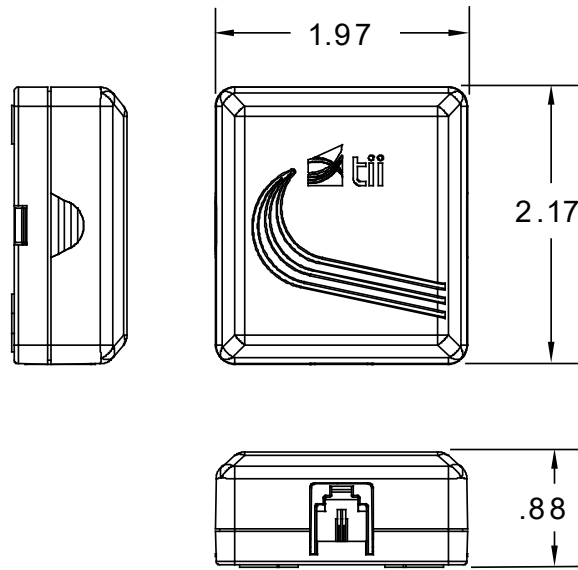
- ▶ Listed to UL/cUL



Tii Technologies Inc.

Corporate Headquarters:

141 Rodeo Drive
Edgewood, NY 11717
Phone: 631.789.5000
Fax: 631.789.5063
Toll Free: 888.844.4720
sales@tiitech.com



Dimensions are in Inches

ORDERING INFORMATION

Model #	Description
751B	Surface Mount Gel-Sealed Telephone Jack