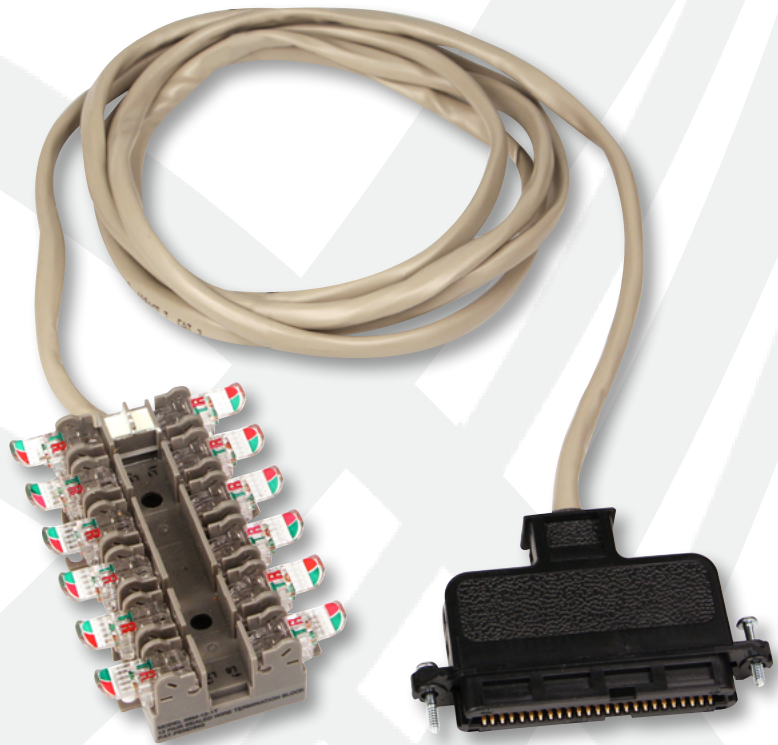


68M-12-1T

*Twelve Line
Sealed Wire Terminal
with RJ-21
Tail/Connector*

CPE/Premise Wiring
Headend/CO
MDU
Utility/Municipality
Wireless



68M-12-1T

The 68M-12-1T Sealed Wire Terminal is designed for applications requiring an amphenol to twisted pair copper IDC termination.

KEY PRODUCT BENEFITS

- ▶ Offers twelve in/twelve out connections
- ▶ Terminations are made to gel sealed insulation displacement contacts (IDC) by means of convenient tool-less rocker assemblies. Wire stripping is not required.
- ▶ Incorporates integral sealed test points -- no additional loose test clips required
- ▶ Compact, low profile design fits into applications where space is limited
- ▶ The 68M-12-1T may be mounted via screws to a suitable flat surface
- ▶ Accepts 26 through 22 gauge solid conductor wire sizes

INDUSTRY STANDARDS

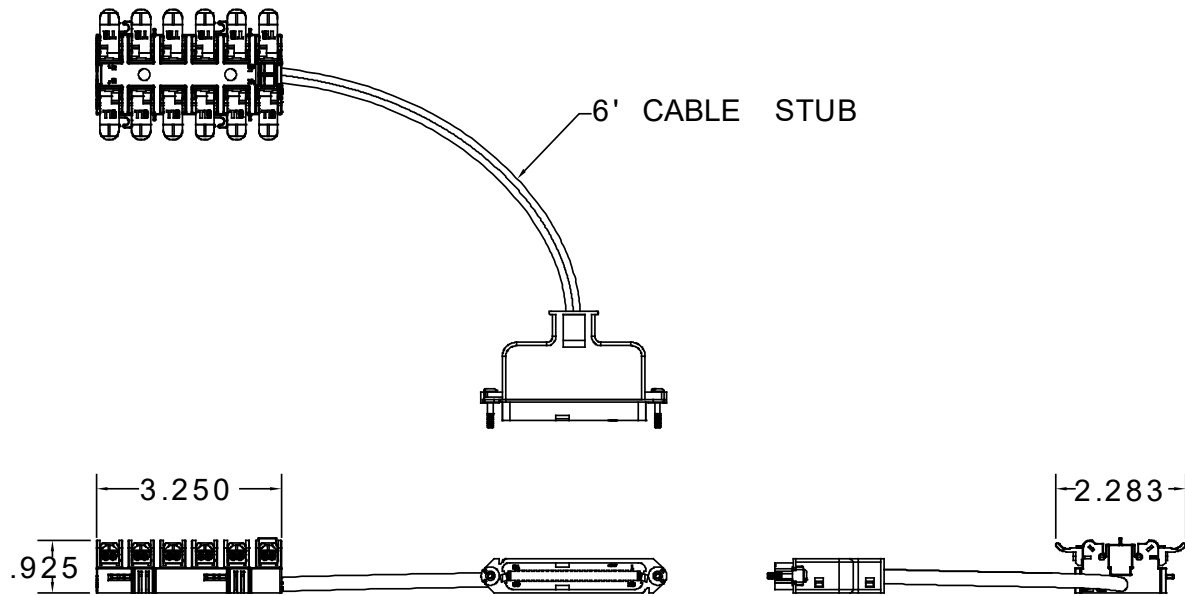
- ▶ Meets UL 1863



Tii Technologies Inc.

Corporate Headquarters:
141 Rodeo Drive
Edgewood, NY 11717
Phone: 631.789.5000
Fax: 631.789.5063
Toll Free: 888.844.4720
sales@tiitech.com

68M-12-1T



Dimensions are in Inches

ORDERING INFORMATION

Model No.	Description
68M-12-1T	RJ-21 Pair Input, 12 Pair IDC Output, Sealed Wire Terminal with Integral Sealed Test Ports