

163 Series

Wire Terminal Closures

CPE/Premise Wiring

Headend/CO

Utility/Municipality



163-01

163 Series Wire Terminal Enclosures are used to connect drop wire and bridle wire for aerial wire drops.

KEY PRODUCT BENEFITS

- ▶ The 163 Series Wire Terminal Enclosure is molded of durable, weather-resistant thermoplastic that is made to resist cracking, crazing, and discoloration
- ▶ Cover is designed to fit securely to the base to provide maximum protection against environmental conditions and the intrusion of any foreign matter
- ▶ For added security, the cover can be sealed in the field with a tie wrap or similar device
- ▶ The base includes a flexible grommet to seal the wiring exit area, allowing room for drop, ground, and station wiring
- ▶ #10 threaded studs provide convenient termination points

INDUSTRY STANDARDS

- ▶ Listed to cUL and UL 1863

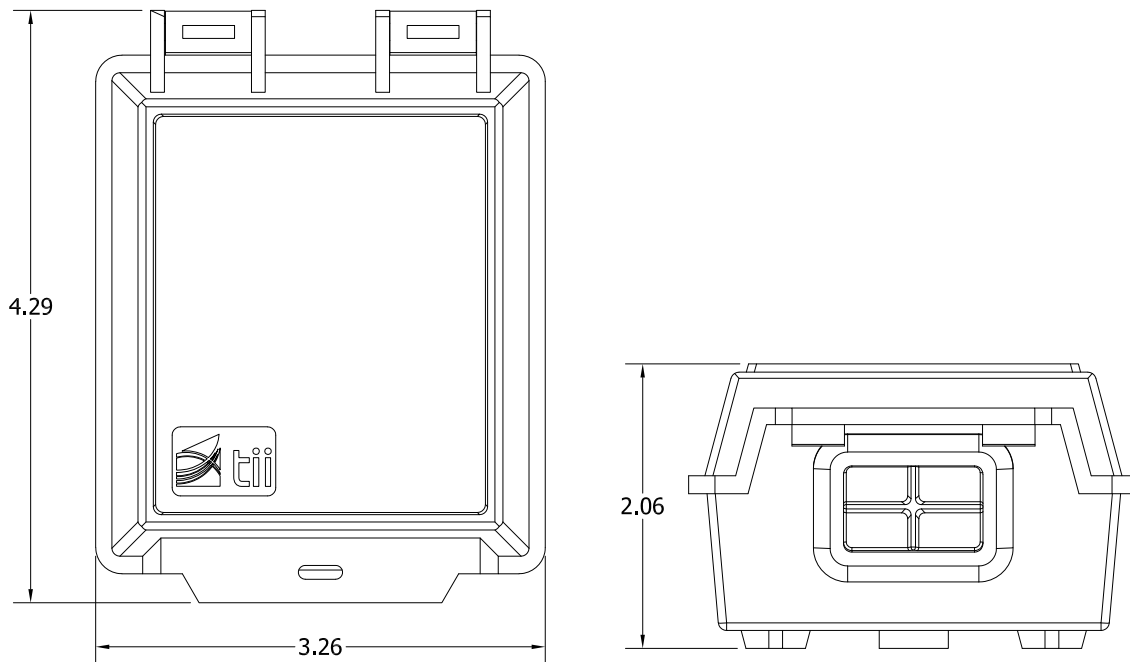


Tii Technologies Inc.

Corporate Headquarters:

141 Rodeo Drive
Edgewood, NY 11717
Phone: 631.789.5000
Fax: 631.789.5063
Toll Free: 888.844.4720
sales@tiitech.com

163 Series



Dimensions are in Inches

ORDERING INFORMATION

Model No.	Description	Standard Pkg.
163-01	Two-Pair Wire Terminal Box <i>(Four #10 studs for terminating two pairs)</i>	50 pieces, 0.29 lbs. each
163-02	Two-Pair Wire Terminal with Ground <i>(Four studs with ground stud for two pair and ground)</i>	50 pieces, 0.31 lbs. each
163-03	One-Pair Wire Terminal Box <i>(Two #10 studs for terminating one pair)</i>	50 pieces, 0.27 lbs. each
163-04	One-Pair Wire Terminal with Ground <i>(Two studs with ground stud for one pair and a ground)</i>	50 pieces, 0.28 lbs. each
163-05	Two-Pair Wire Terminal Box <i>(Four #10 studs with three additional washers and one additional hex nut on each stud/ground)</i>	50 pieces, 0.29 lbs. each
163-06	Two-Pair Wire Terminal Box <i>(Four #10 studs with ground stud with three additional washers and one additional hex nut on each stud/ground)</i>	50 pieces, 0.29 lbs. each

Model #s 163-01, 163-02, 163-03 and 163-04 come equipped with three washers and one hex nut on each stud/ground. 163-01 and 163-03 Wire Terminals have room enough to mount a one-pair load coil or build-out capacitor in order to condition transmission characteristics of the circuit.