

VIS-3

Voice Intercom Switch

CPE/Premise Wiring

MDU

Utility/Municipality



VIS-3

VIS-3 Voice Intercom Switch is a microprocessor controlled circuit that provides seamless connection of customer premise telephones to either a digital voice service or to door answering systems (DAS)/intercom calls in multiple dwelling units (MDUs).

When the customer telephone line is not in use, a ringing signal on the DAS/intercom line is detected and connected to the premise telephones. Connection to the DAS/intercom is established when the customer telephone is taken off hook. A dropped DAS/intercom call or placing the telephone back on hook terminates the DAS/intercom call, and the VIS-3 automatically restores the digital voice service connection to the premise telephone wiring.

If the customer telephone is in use when the DAS/intercom rings, a double beep (similar to a call waiting tone) is injected on to the digital voice line to alert the user of an incoming DAS/intercom call. The user is then able to tap the flash key on the phone handset to place the original call on hold and pick up the DAS/intercom call. Another tap/flash after completion of the DAS/intercom call will initiate the switch back to the original call that was on hold.

When installed, the VIS-3 is in the digital voice service as its default state. A blinking green LED indicates that the device's digital voice side is powered. In the case of digital voice line power loss, the unit will default to DAS/intercom mode so that the user is not disconnected from DAS/intercom service during voice line power loss.

KEY PRODUCT BENEFITS

- ▶ Can be located next to the existing DAS/intercom connection
- ▶ Customer is able to attend the DAS/intercom calls while using digital voice service on existing phones.
- ▶ Eliminates the need for separate telephone sets to answer DAS/intercom calls.
- ▶ Power loss on voice line will allow incoming DAS/intercom calls to come through
- ▶ No Attenuation to Digital Voice Service or DAS/Intercom Signals
- ▶ For indoor applications only

INDUSTRY STANDARDS

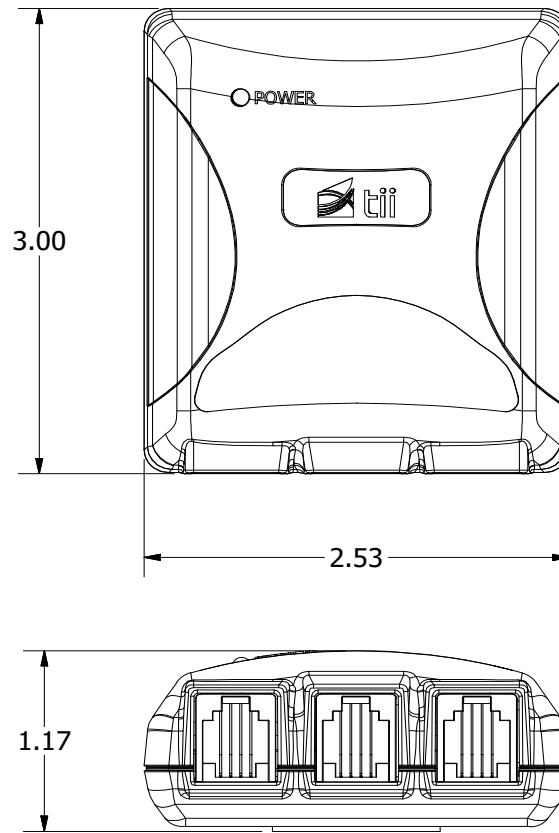
- ▶ Listed to UL1863



Tii Technologies Inc.

Corporate Headquarters:

141 Rodeo Drive
Edgewood, NY 11717
Phone: 631.789.5000
Fax: 631.789.5063
Toll Free: 888.844.4720
sales@tiitech.com



Dimensions are in Inches

Operating Voltage Range	40-60 Volts DC
Ringing Voltage	60-90 Volts AC
Operating Current - From Digital Voice Phone Line	
ON Hook State (25-50 V)	< 1 mA
OFF Hook State (3-20 V)	< 1.25 mA
Operating Current - From DAS/Intercom Phone Line	
Device in DAS/Intercom State	< 10 μ A
Intercom Ring Signal Delay	< 50 ms
Operating Temperature	-40 to 60 °C

ORDERING INFORMATION

Model No.	Description	Standard Pkg.
VIS-3	Voice Intercom Switch with Intercom Default on Power Loss	20 pieces, 0.131 lbs. per unit or 2.1oz