

## SVM-1R-P

### Indoor Switchable Voice Module

CPE/Premise Wiring

MDU

Utility/Municipality



SVM-1R-P

The Switchable Voice Module (SVM) provides seamless switching from Telco service to digital phone service. A flashing green LED indicates EMTA power is connected to the SVM.

#### KEY PRODUCT BENEFITS

- ▶ The customer is not without telephone service during the number portability process
- ▶ Eliminates additional truck roll costs by automatically switching service provider connections when ring signals are detected from the MTA
- ▶ Equipped with secondary telephone line surge protection
- ▶ Allows faster revenue capture by immediately switching from the incumbent service provider when a ported number is available
- ▶ LED indicates that power is being provided by the MTA
- ▶ Compact, low profile design fits into applications where space is limited
- ▶ The SVM Series may be universally mounted via double sided tape to a suitable flat surface
- ▶ Connections are made via standard RJ-11 plug and jacks
- ▶ Flashing green LED indicates EMTA power

#### INDUSTRY STANDARDS

- ▶ Listed to UL 1863
- ▶ FCC Part 68 Registered

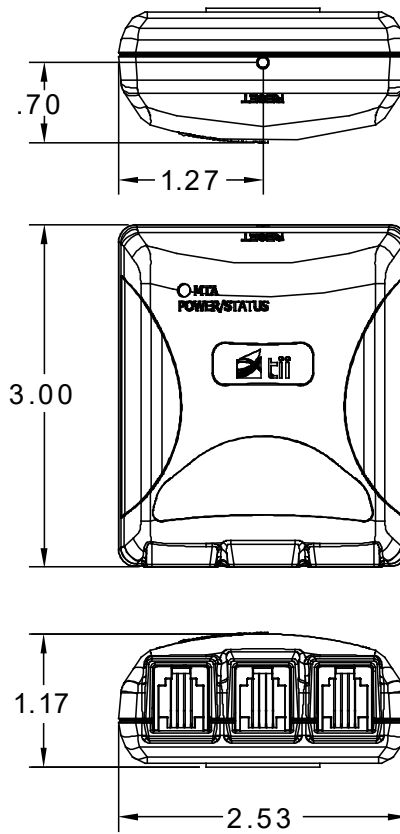


Tii Technologies Inc.

#### Corporate Headquarters:

141 Rodeo Drive  
Edgewood, NY 11717  
Phone: 631.789.5000  
Fax: 631.789.5063  
Toll Free: 888.844.4720  
sales@tiitech.com

# SVM-1R-P



Dimensions are in Inches

## ORDERING INFORMATION

Model No.	Description	Standard Pkg.
<b>SVM-1R-P</b>	Indoor Switchable Voice Module with Protection	10 Pieces - 0.31 lbs. each

Patent Pending