

68M-2S

Sealed Wire Terminal with Home Security Connections

CPE/Premise Wiring

MDU

Utility/Municipality

Wireless

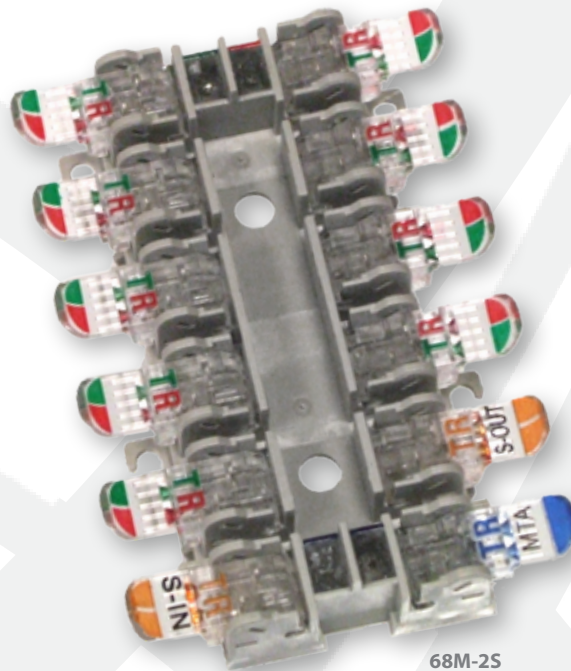


Tii Technologies Inc.

Corporate Headquarters:

141 Rodeo Drive
Edgewood, NY 11717
Phone: 631.789.5000
Fax: 631.789.5063
Toll Free: 888.844.4720
sales@tiitech.com

www.tiitech.com



The 68M-2S is designed for applications requiring more than one parallel connection to a single service in addition to providing connectivity to an existing Home Security System. This product is an ideal fit for digital voice networks connected to a home security system.

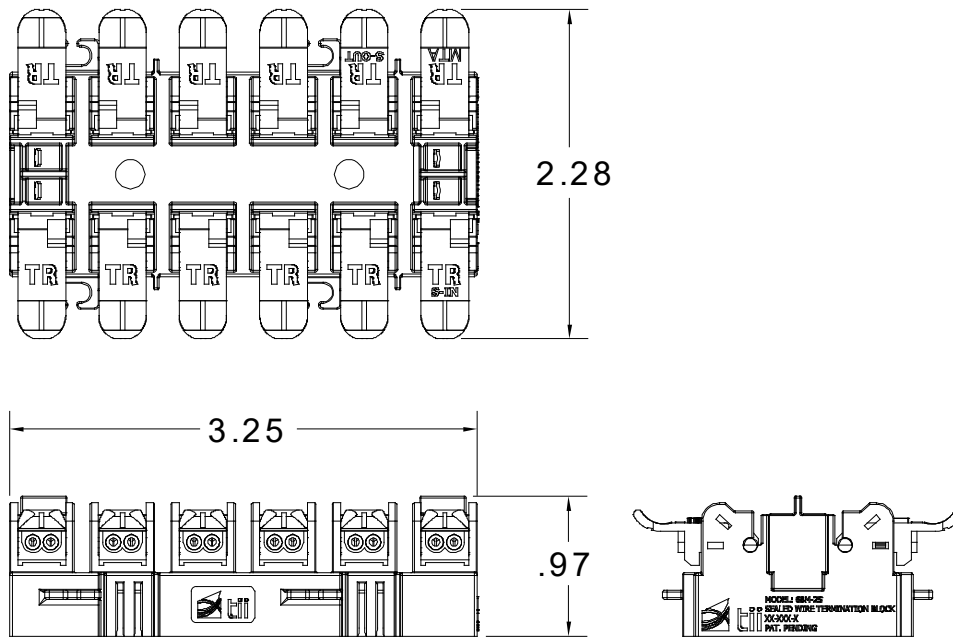
KEY PRODUCT BENEFITS

- ▶ Offers multiple extension connections for 1 digital voice or POTS line
- ▶ Provides interface connection points for security systems. Each connection is identified for proper wiring. Incorporates integral sealed test points – no additional loose test clips required
- ▶ Terminations are made to gel-sealed insulation displacement contacts (IDC) by means of convenient tool-less rocker assemblies. Wire stripping is not required.
- ▶ Equipped with side wire looms for easy wire management
- ▶ Compact, low profile design fits into applications where space is limited. Accepts 26 through 22 gauge solid conductor wire sizes

INDUSTRY STANDARDS

- ▶ Listed to cUL and UL 1863
- ▶ CAT6 Compliant

68M-2S



Dimensions are in Inches

ORDERING INFORMATION

Model No.	Description
68M-2S	Sealed Wire Terminal with Home Security Connections