

168 Series

Outdoor Sealed Wire Terminal Enclosure

CPE/Premise Wiring

Headend/CO

Utility/Municipality



The 168 Series Outdoor Sealed Wire Terminal Enclosure accommodates the 68M Series Sealed Wire Terminal. The 168 Series enclosure is designed for applications requiring more than one parallel connection to a single or two pair service.

This product is an ideal fit for digital voice networks.

KEY PRODUCT BENEFITS

- ▶ The enclosure is molded of temperature and humidity-resistant thermoplastic, which resists cracking, crazing, and discoloration
- ▶ The cover interlocks with the base to protect the contents from any foreign matter
- ▶ The 168 enclosure features scalloped sides designed to provide easy internal access
- ▶ Each enclosure has two wire entrance grommets and a snap-fit hinged cover with provisions for a tie wrap along with mounting holes for wall or pole mounting
- ▶ Compact, low profile design fits into applications where space is limited
- ▶ Optional termination block configurations provide interface for home security systems

INDUSTRY STANDARDS

- ▶ Listed to cUL and UL 1863



Tii Technologies Inc.

Corporate Headquarters:

141 Rodeo Drive
Edgewood, NY 11717

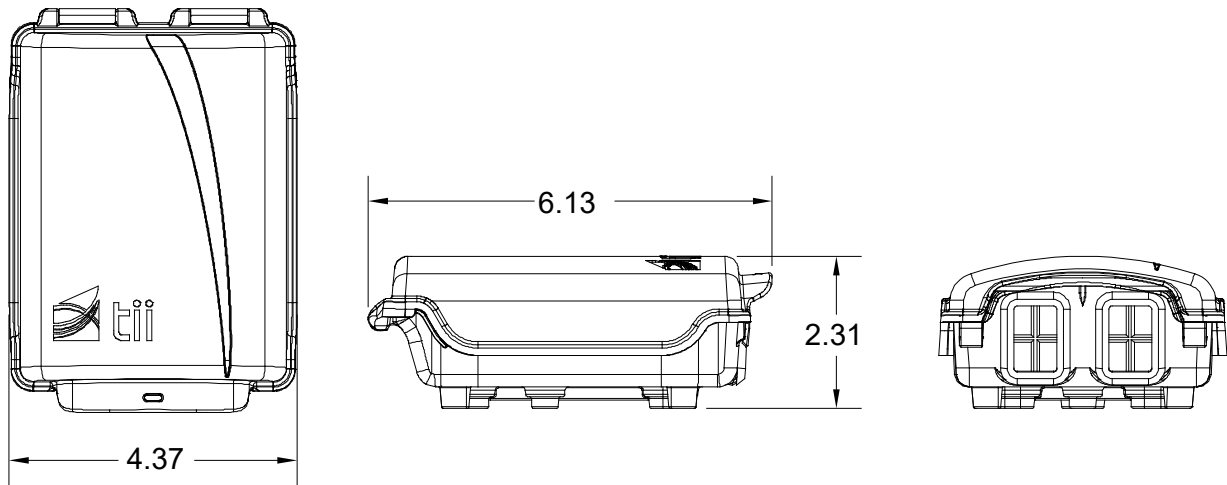
Phone: 631.789.5000

Fax: 631.789.5063

Toll Free: 888.844.4720

sales@tiitech.com

168 Series



Dimensions are in Inches

ORDERING INFORMATION

168	— XX	— XX
	Position 1 Upper	Position 2 Lower
	00 = no block	00 = no block
	01 = 67M-1	01 = 67M-1
	02 = 68M-1*	06 = 69M-1
	03 = 68M-2*	07 = 69M-2
	04 = 68M-2S*	08 = 69M-2S
	05 = 68M-2S-4*	09 = SVMWT
	06 = 69M-1	
	07 = 69M-2	
	08 = 69M-2S	