

372-S2

100 Base-T Surge Protection Module

CPE/Premise Wiring

MDU

Utility/Municipality



372-S2

The 372-S2 100 Base-T Surge Protection Module is designed to provide state-of-the-art protection for 100 Base-T networks or similar high-speed, low-voltage, data networks.

KEY PRODUCT BENEFITS

- ▶ Terminations are made by means of convenient rockers and Insulation Displacement Contacts (IDC)
- ▶ Uses three-electrode gas tubes for primary protection
- ▶ The 372-S2 uses a combination of components which protect the 100 Base-T network from over-current conditions while introducing minimal insertion loss to data transmission
- ▶ Low-voltage, high-surge absorbing avalanche diode bridge circuit, provides excellent low voltage clamping protection
- ▶ Low-voltage solid state protection elements provide fast response over-voltage protection
- ▶ Protection elements are encapsulated to protect them from any environmental factors that can adversely affect the performance of the protector

INDUSTRY STANDARDS

- ▶ Listed to UL 497 as a primary surge protector
- ▶ Designed to meet Telcordia GR-1361-CORE "Generic Requirements for applicable requirements Gas Tube Protector Units," applicable requirements of Telcordia TR-NWT-000975 for unprotected terminal blocks and Telcordia TR-NWT-001305 requirements for surge protected terminal blocks

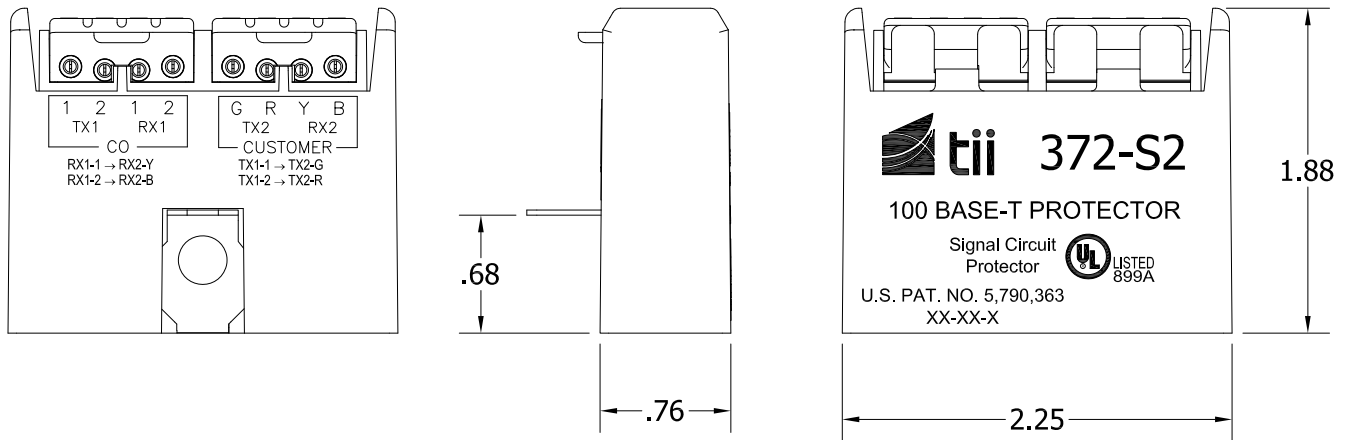


Tii Technologies Inc.

Corporate Headquarters:

141 Rodeo Drive
Edgewood, NY 11717
Phone: 631.789.5000
Fax: 631.789.5063
Toll Free: 888.844.4720
sales@tiitech.com

372-S2



Dimensions are in Inches

Customer Side

DC Breakdown	22-30 Volts
Impulse Breakdown Voltage @ 100V/ μ sec.	40V Max.

Impulse Life:

10 Amp, 10/1000 μ sec. waveform	1500 Surges
100 Amp, 10/1000 μ sec. waveform	100 Surges
300 Amp, 10/1000 μ sec. waveform	50 Surges

AC Discharge Current

10 Amp, 1 Second	5 Operations
1 Amp, 1 Second	60 Operations

Maximum Single Impulse Discharge Current 8/20 μ sec. waveform	10 kA
--	-------

Over-Current Protection	
Holding (pass-through) Current	150 mA
Maximum Interrupt Current	3 Amps

Series Resistance Each Line	8-14 Ohms
-----------------------------	-----------

Insertion Loss (0.5 MHz – 100 MHz)	< 1 dB
------------------------------------	--------

Capacitance	< 50pF
-------------	--------

ORDERING INFORMATION

Model No.	Description	Standard Pkg.
372-S2	100 Base-T Surge Protection Module	50 pieces - 0.175 lbs. each

INFORMATION CONTAINED IN THIS PUBLICATION IS PROVIDED ONLY FOR YOUR CONVENIENCE AND IS SUBJECT TO CHANGE WITHOUT NOTICE. TII TECHNOLOGIES MAKES NO REPRESENTATIONS OR WARRANTIES OF ANY KIND WHETHER EXPRESS OR IMPLIED, WRITTEN OR ORAL, STATUTORY OR OTHERWISE, RELATED TO THE INFORMATION, INCLUDING BUT NOT LIMITED TO ITS CONDITION, QUALITY, PERFORMANCE, MERCHANTABILITY OR FITNESS FOR PURPOSE; AND TII TECHNOLOGIES DISCLAIMS ALL LIABILITY ARISING FROM THE USE OF THIS INFORMATION.