

STATION PROTECTORS

344, 345, 348, 349 Series

Station Protectors

CPE/Premise Wiring

Headend/CO

Utility/Municipality



349-1LG

The Tii Total Failsafe® Station Protectors are the basic components of tii Station Protectors and consist of a Tii Surge Protector module in a 160G BIG MAC® Utility Enclosure, with molded in-ground stud.

KEY PRODUCT BENEFITS

- ▶ The BIG MAC® Utility Enclosure is molded of durable, weather-resistant thermoplastic that is made to resist cracking, crazing, and discoloration.
- ▶ Cover is designed to fit securely to the base to provide maximum protection against environmental conditions and the intrusion of any foreign matter.
- ▶ For added security, the cover can be sealed in the field with a tie wrap or similar device.
- ▶ The base includes a flexible grommet to seal the wiring exit area, allowing room for drop, ground, and station wiring.
- ▶ A threaded stud provides a common ground point for grounding and bonding the shield of buried drop, and securing one or two tii protector modules.
- ▶ All Total Failsafe® station protector housings may be ordered with one or two protector modules installed.
- ▶ A one-pair can be upgraded to a two-pair station protector by the simple addition of a second protector module. This saves both maintenance time and the need to either add a second single-pair station protector or replace it with a two-pair station protector.
- ▶ Tii Station protectors are engineered to provide the superior performance required in protecting today's technology.
- ▶ The 348 comes equipped with the 355 TFS® Maximum Duty three-electrode protector module installed.
- ▶ The 349 comes equipped with the 356 TFS® Maximum Duty three-electrode protector module installed.
- ▶ The 345 comes equipped with the 126 Heavy Duty two-electrode protector module installed.
- ▶ Other Tii station protector modules may be provided for the 344 enclosure. Please refer to the back of this data sheet for ordering information.



Tii Technologies Inc.

Corporate Headquarters:

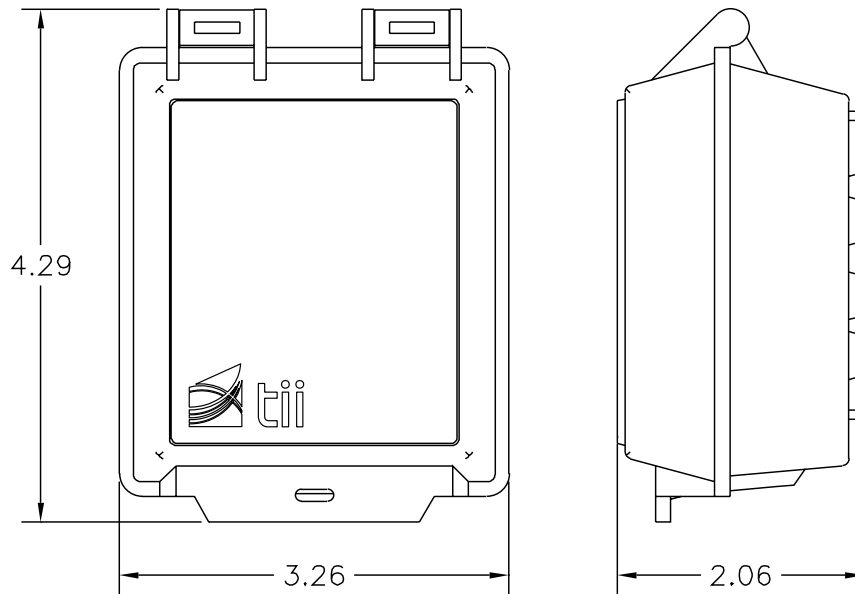
141 Rodeo Drive
Edgewood, NY 11717
Phone: 631.789.5000
Fax: 631.789.5063
Toll Free: 888.844.4720
sales@tiitech.com

www.tiitech.com

INDUSTRY STANDARDS

- ▶ Listed to UL 497

344, 345, 348, 349 Series



Dimensions are in Inches

ORDERING INFORMATION

Model No.	XX STATION PROTECTORS	X QTY OF MODULES
344	00 = No Protectors	1
	22 = 122	2
	78 = AD-01W-LP	
	80 = ADX-L/R or W	
Model No.	Description	
345-1 (*)	One Pair Totel Failsafe® TFS® Station Protector equipped with One (1) 126 Protector Module	
345-2 (*)	Two Pair Totel Failsafe® TFS® Station Protectors equipped with Two (2) 126 Protector Modules	
348-1MG	One Pair Totel Failsafe® TFS® Station Protector equipped with One (1) 355M Protector Module	
348-2MG	Two Pair Totel Failsafe® TFS® Station Protectors equipped with Two (2) 355M Protector Modules	
349-1LG	One Pair Totel Failsafe® TFS® Station Protector equipped with One (1) 356L Protector Module	
349-2LG	Two Pair Totel Failsafe® TFS® Station Protectors equipped with Two (2) 356L Protector Modules	

Insert letter L or M in place of ().

"M" designates a protector module meeting RUS and PEG and other industry requirements.

"L" designates a protector module meeting specific Bell System requirements. Both "L" and "M" types are UL Listed.