

504, 581 Series

Single-Pin Protector Packs

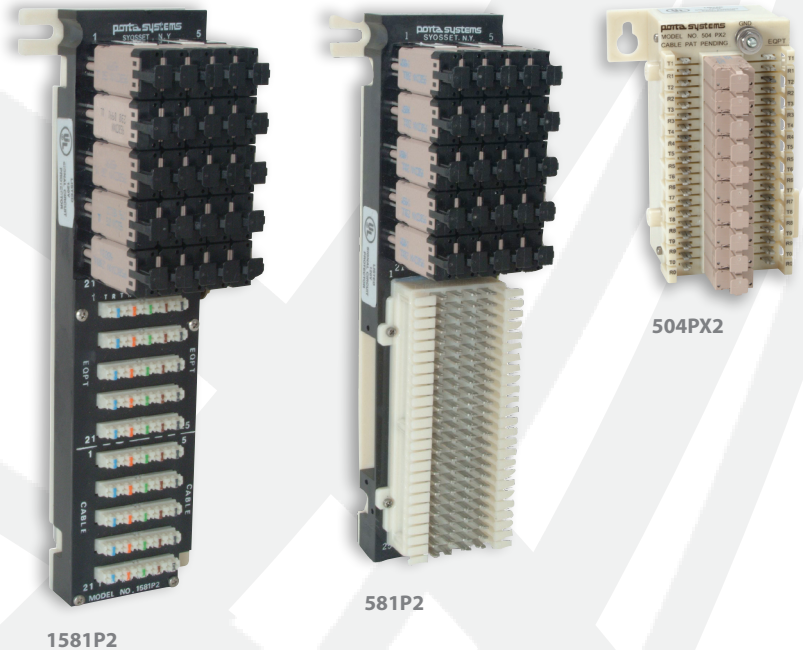
CPE/Premise Wiring

DOT

MDU

PON

Utility/Municipality



The 504 and 581 Series are UL Listed Primary and Secondary single-pin protector packs. They are suitable for use at the demarcation point for Customer Premise owners and installers for runs between buildings in an industrial, commercial, or campus environment to protect communication networks. Available in 66 and 110 terminations; 6, 12 and 25 pair configurations. Factory installed and tested Solid State and Gas tube protectors available.

KEY PRODUCT BENEFITS

- ▶ Ultra-low capacitance Solid State Technology provides protection for frequencies up to 100 MHz for CAT 5E performance
- ▶ 66/110 termination
- ▶ Designed for use in enclosures
- ▶ Available with factory installed gas tube protector modules
- ▶ Operating Temperature: -13°F to 149°F (-25°C to 65°C)

INDUSTRY STANDARDS

- ▶ Listed to UL 497, 497A and UL 497B for Primary, Secondary and Isolated Loop Circuit Protection



Tii Technologies Inc.

Corporate Headquarters:

141 Rodeo Drive
Edgewood, NY 11717

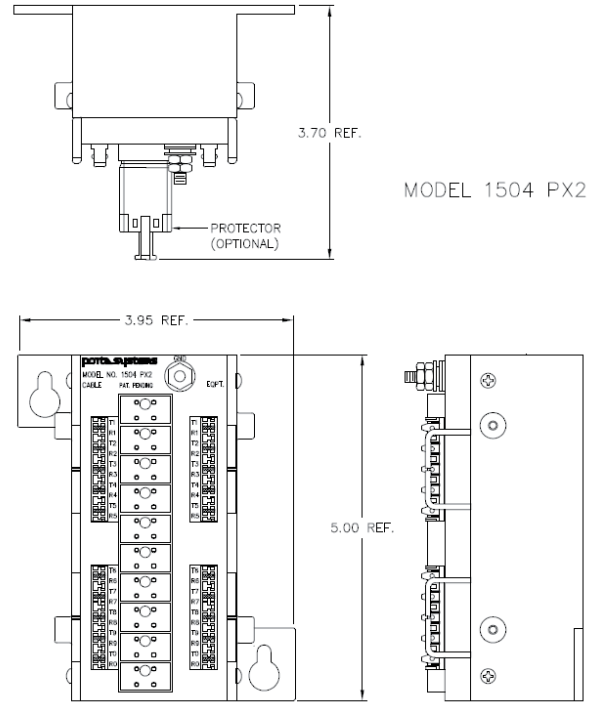
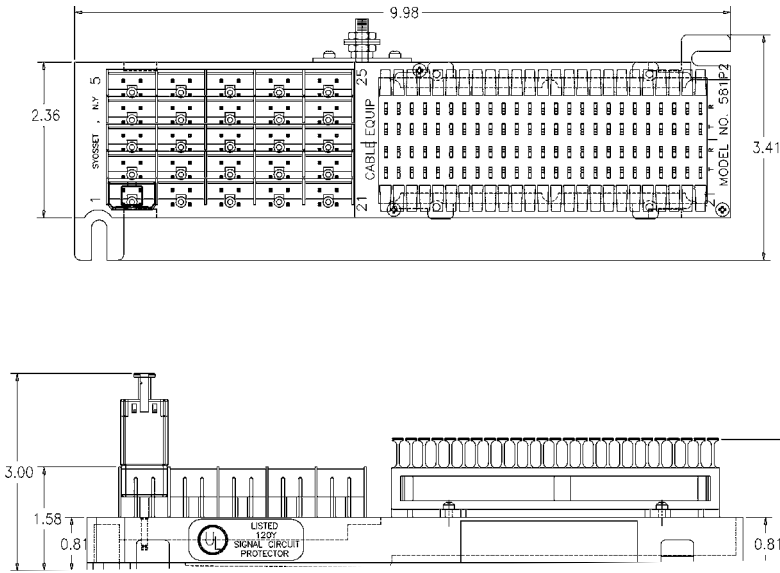
Phone: 631.789.5000

Fax: 631.789.5063

Toll Free: 888.844.4720

sales@tiitech.com

504, 581 Series



Dimensions are in Inches

SPECIFICATIONS

	504, 1504	581, 1581
Dimensions (WxHxD)	5" x 4" x 3.5" (12.7 cm x 10.2 cm x 8.9 cm)	10" x 2.36" x 3" (25.4 cm x 6 cm x 7 cm)
Unit Weight (approx.)	1 lb.	2 lbs.

ORDERING INFORMATION

BLOCK ONLY	W/ 350V GAS TUBE PROTECTORS	PAIR COUNT	INPUT/OUTPUT
504PX2	504PX26GT	6	66 / 66
1504PX2	1504PX26GT	6	110 / 110
N/A	504PX210GT*	12	66 / 66
N/A	1504PX210GT*	12	110 / 110
581P2	581P225GT*	25	66 / 66
1581P2	1581P225GT	25	110 / 110

*Stock item

INFORMATION CONTAINED IN THIS PUBLICATION IS PROVIDED ONLY FOR YOUR CONVENIENCE AND IS SUBJECT TO CHANGE WITHOUT NOTICE. TII TECHNOLOGIES MAKES NO REPRESENTATIONS OR WARRANTIES OF ANY KIND WHETHER EXPRESS OR IMPLIED, WRITTEN OR ORAL, STATUTORY OR OTHERWISE, RELATED TO THE INFORMATION, INCLUDING BUT NOT LIMITED TO ITS CONDITION, QUALITY, PERFORMANCE, MERCHANTABILITY OR FITNESS FOR PURPOSE; AND TII TECHNOLOGIES DISCLAIMS ALL LIABILITY ARISING FROM THE USE OF THIS INFORMATION.