

## 442CGT

*Grounding Module  
for AC and Coax  
with AC Outlet  
and Top Position  
Grounding Prong*

CPE/Premise Wiring

FTTx

MDU

Utility/Municipality



**Tii Technologies Inc.**

**Corporate Headquarters:**

141 Rodeo Drive  
Edgewood, NY 11717  
Phone: 631.789.5000  
Fax: 631.789.5063  
Toll Free: 888.844.4720  
sales@tiitech.com

www.tiitech.com



442CGT

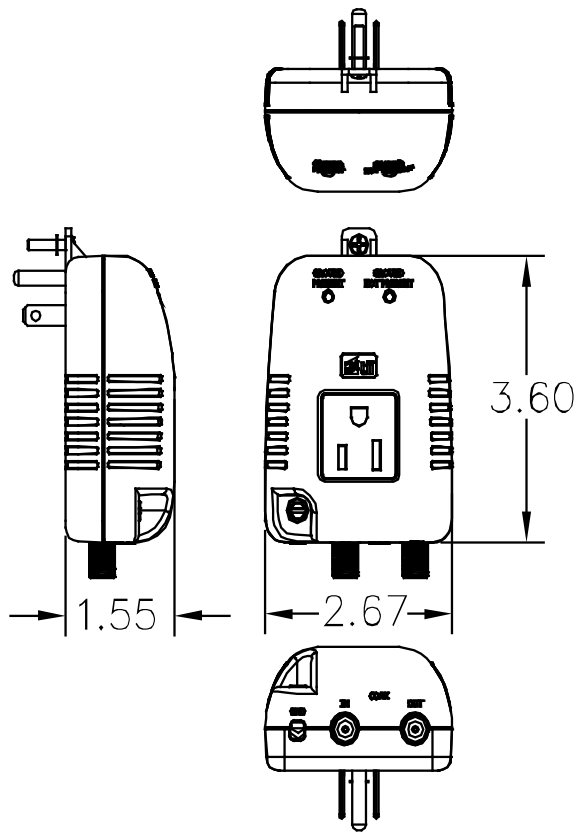
The 442CGT Grounding Module detects the presence of AC power and ground, provides an auxiliary AC receptacle and ground connection. Two F-type female connectors provide means of grounding coax cable shield as well as signal integrity.

### KEY PRODUCT BENEFITS

- ▶ Ideal for applications where equipment is required to be permanently connected to a building's AC ground and where common bonding of the coax cable ground is desired
- ▶ Top-position grounding prong
- ▶ Capable of terminating up to a #6 gauge grounding wire using a standard slotted screwdriver
- ▶ Provides an auxiliary AC receptacle
- ▶ Coax F-type connectors provide in and out connections for the signals on the center conductors of the coax cable while shield is bonded to common ground
- ▶ Ground & Wiring Indicator Circuit:
  - **Ground Present:** Green lamp "on" indicates the presence of a ground when plugged into an AC receptacle.
  - **Ground Not Present:** Red lamp "on" indicates that a ground is not present or that there may be a problem with the wiring.
  - Both indicator lamps "on" signify a possible wiring problem

### INDUSTRY STANDARDS

- ▶ cULus Listed to 498A



*Dimensions are in Inches*

## ORDERING INFORMATION

Model No.	Description
442CGT	Grounding Module with Coax Connectors