

WM01BT Series

Wall Mount Patch & Splice Fiber Enclosure

CPE/Premise Wiring

FTTP

MDU



WM01BT006RSA9

Compact wall mount fiber distribution unit designed to support patching and splicing in one unit. The enclosure has an integrated splice chip, 1 adapter panel, and accommodates a wide variety of fiber termination connector types.

KEY PRODUCT BENEFITS

- ▶ Accommodates up to 12 fiber ports
- ▶ Available with factory loaded adapter plate, splice chip and pigtail
- ▶ Suitable for loose tube, tight buffer and ribbon cable
- ▶ Cable entry tie down points
- ▶ Hinged top cover - extended to protect connectors
- ▶ Accepts one LGX® compatible adapter plate



Tii Technologies Inc.

Corporate Headquarters:

141 Rodeo Drive
Edgewood, NY 11717

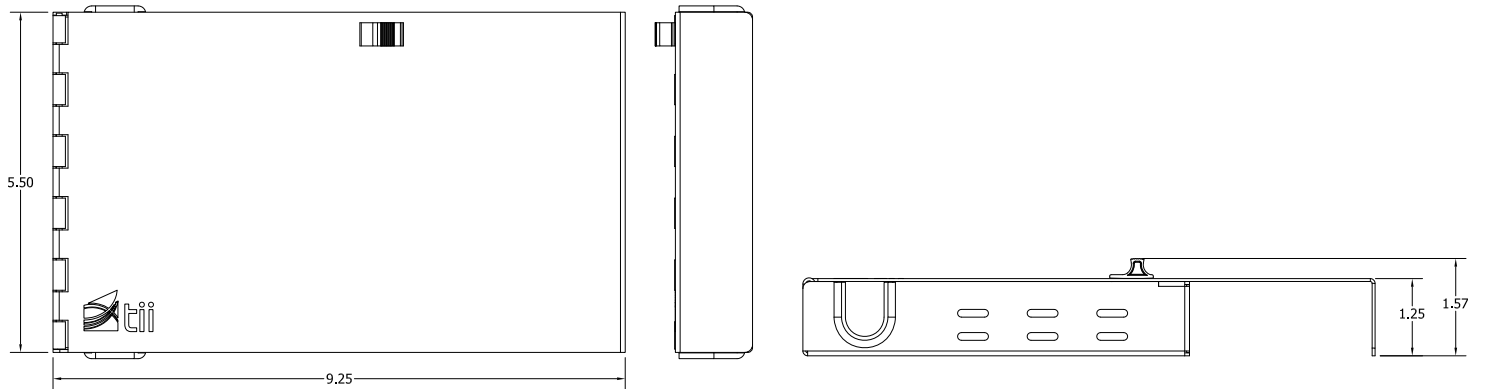
Phone: 631.789.5000

Fax: 631.789.5063

Toll Free: 888.844.4720

sales@tiitech.com

WM01BT Series



Dimensions are in Inches

MODEL NUMBER MATRIX

WM01BT	XXX	X	XX	X
	Fiber Ports	Fiber Type	Adapter	Pigtails & Splice Trays
	006	R = Singlemode	FC = FC	N = None
	008	K = MM62.5 OM1	FA = FC APC	9 = 900um
	012	C = MM50 OM2	LC = LC	
		S = MM50 OM3	SC = SC	
			SA = SC APC	
			ST = ST	

SPECIFICATIONS

Adapter Plates	1
Splice Trays	12 Position Slice Chip
Dimensions	1.6" H x 5.5" W x 6.3" D
Packaging	3" H x 12" W x 12" D
Weight	5 lbs. empty, 6 lbs. loaded
Material	18 GA Steel, Black Powder Coat

ORDERING INFORMATION/ACCESSORIES

Model #	Description
WM01BT	Mini Wallmount, Empty 1 Adapter Plate Capacity
LG1-xxxxxx-B	LG1 Series Adapter Plates In Black (See LG1 datasheet)