

## HCCS Series

### *Modular Fiber Splice Enclosure*

CPE/Premise Wiring

FTTP

MDU

PON

Utility/Municipality

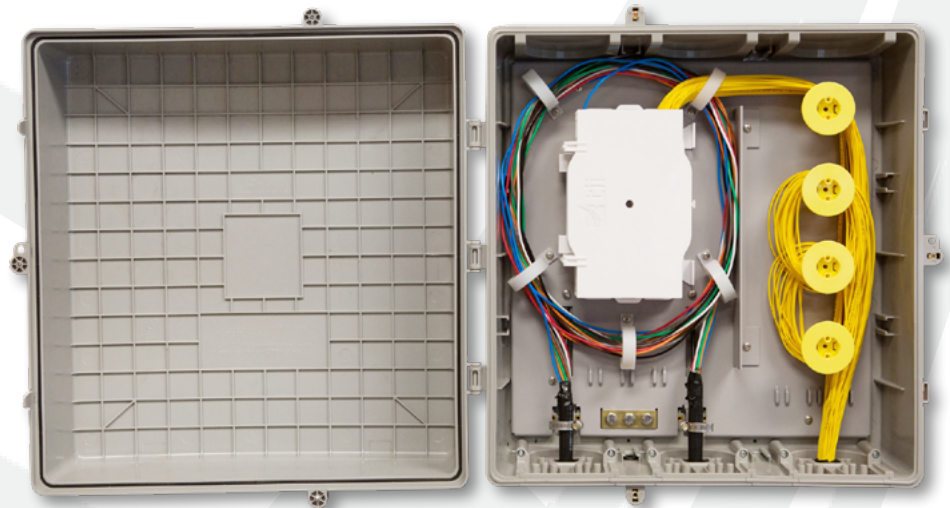


**Tii Technologies Inc.**

**Corporate Headquarters:**

141 Rodeo Drive  
Edgewood, NY 11717  
Phone: 631.789.5000  
Fax: 631.789.5063  
Toll Free: 888.844.4720  
sales@tiitech.com

[www.tiitech.com](http://www.tiitech.com)



HCCS-3WAA

Hybrid Connectivity Closure is a weatherproof plastic enclosure for indoor and outdoor use that can be wall or pole mounted. The HCCS is configured as a high density solution for up to 192 single / 576 mass fusion splice.

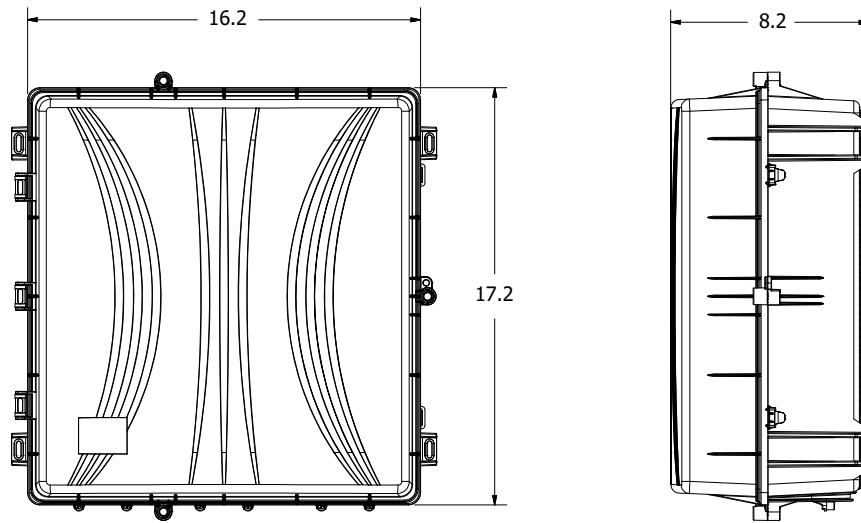
#### KEY PRODUCT BENEFITS

- ▶ 192 single fusion splice
- ▶ 576 mass fusion splice
- ▶ Distribution exit
- ▶ Mid-span cable access
- ▶ Multiple cable entry/exit modules for exact fit cable and conduit up to 1.5"
- ▶ Feeder entry
- ▶ Pole and wall mount
- ▶ Adjustable and fixed skirt options

#### INDUSTRY STANDARDS

- ▶ NEMA-4, IP-66
- ▶ UL-2416
- ▶ GR-3123

# HCCS Series



Dimensions are in Inches

## SPECIFICATIONS

<b>FST Splice Trays</b>	Up to 8
<b>Cable Entry Modules</b>	3 bottom, optional 3 top
<b>Dimensions (H x W x D)</b>	18" x 17" x 8.2"
<b>Packaging</b>	26" x 23" x 12"
<b>Shipping Weight (Typical)</b>	25 lbs.

## ORDERING INFORMATION

HCCS	X	X	X	X
	<b>Cable Ports</b>	<b>Mounting Style</b>	<b>Tray Style</b>	<b>Tray Quantity</b>
	3 = Bottom Standard (NEMA 3) 4 = Bottom Conduit (NEMA 4) A = Top/Bottom Standard (NEMA 3) C = Top/Bottom Conduit (NEMA 3)	W = Wall P = Pole or Wall	A = 24SF / 72MF Stackable D = 48SF / 144MF Fold Down	Style "A" = 1 to 8 Style "D" = 1 to 4