

HCCH-SC Series

Modular Fiber Distribution Hub (FDH) Enclosure

CPE/Premise Wiring

FTTx

MDU

PON

Utility/Municipality

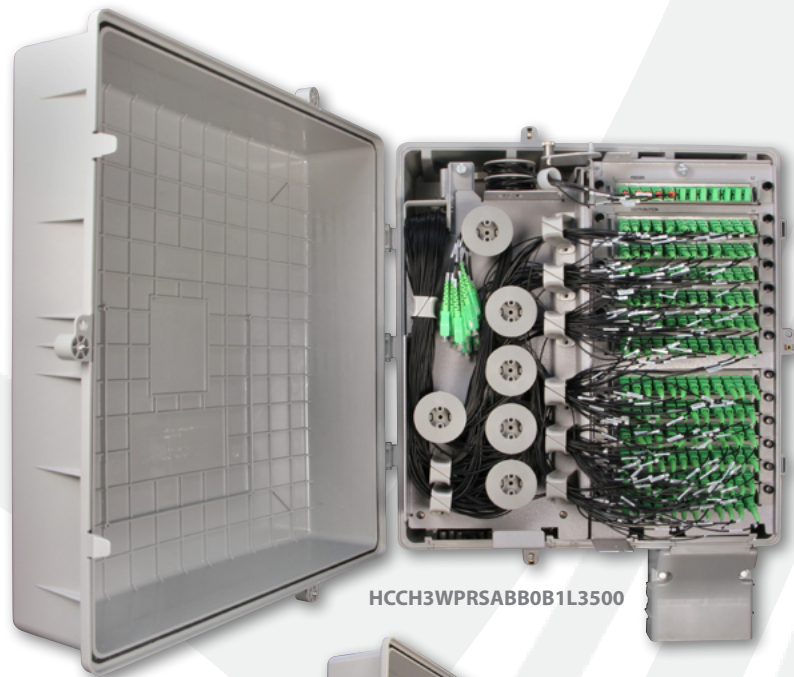


Tii Technologies Inc.

Corporate Headquarters:

141 Rodeo Drive
Edgewood, NY 11717
Phone: 631.789.5000
Fax: 631.789.5063
Toll Free: 888.844.4720
sales@tiitech.com

www.tiitech.com



Hybrid Connectivity Closures (HCC) are a weatherproof family of plastic enclosures for indoor and outdoor use which can be wall or pole mounted. The HCCH-SC is configured as a high density modular cassette FDH PON solution for up to 144 customer service drops. Its flexible design and options support a wide range of deployment styles including fusion splicing, field termination and factory installed cable stubs.

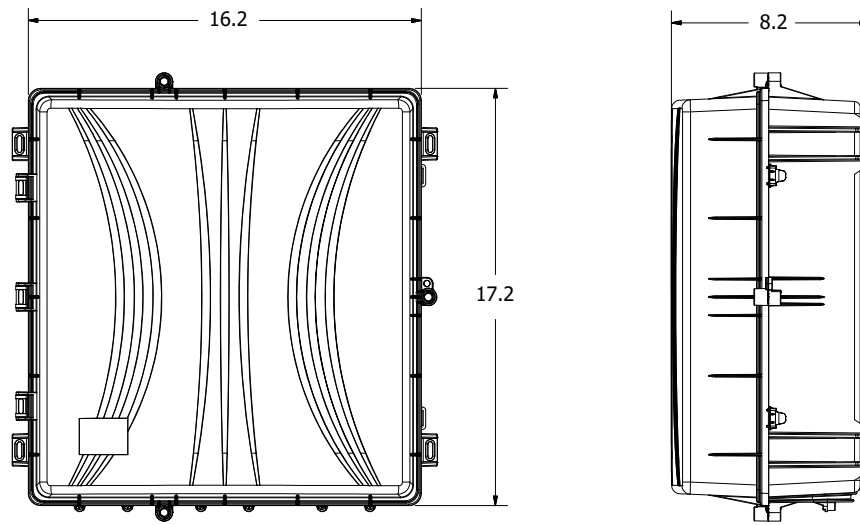
KEY PRODUCT BENEFITS

- ▶ 144 fiber distribution and PON splitting
- ▶ Extreme high density solution
- ▶ Modular patch & splice cassettes for added flexibility
- ▶ Supports optional MPO fiber distribution
- ▶ Express cable with extra splicing capacity
- ▶ Mid-span cable access
- ▶ Multiple cable entry/exit modules for exact fit cable and conduit up to 1.5"
- ▶ Pole and wall mount
- ▶ Adjustable and fixed skirt options

INDUSTRY STANDARDS

- ▶ NEMA-4, IP-66
- ▶ UL-2416
- ▶ GR-3123, GR-326, GR-1209, GR-1221

HCCH-SC Series



Dimensions are in Inches

SPECIFICATIONS

Patch & Splice Cassettes or Plates	Up to 13
FST Splice Trays	Up to 2
PLC Splitter Capacity by Type	5
Cable Entry Modules	3 bottom
Dimensions (H x W x D)	18" x 17" x 8.2"
Packaging	26" x 23" x 12"
Shipping Weight (Typical)	25 lbs.

ORDERING INFORMATION

Series	Cable Ports	Mounting Style	Distrib. Ports	Fiber Type	Adapter Type	Feeder Fibers	Feeder Style	Distr. Cable Count	Distr. Style	Splice Trays 24SF/72MF	Splitter Style	Split Ratio	Splitter Qty.	Splitter Stub Length
HCCH X	X	X	R	SA	X	X	X	X	X	X	L	X	X	XX
	3 = Bottom Standard (NEMA 3) 4 = Bottom Conduit (NEMA 4)	W = Wall P = Pole or Wall	F = 24 H = 36 J = 48 L = 72 N = 96 P = 144	R = G.657A1	SA = SC-APC	B = 12 F = 24*	A = Single Fusion B = Mass Fusion M = MPO E = Empty Cassette P = Plate Adapters only	0-2	A = Single Fusion B = Mass Fusion M = MPO E = Empty Cassette P = Plate Adapters only	0-2**	L = LPS0	0 = None Q = Quad 1x8 D = Dual 1x16 3 = 1x32	0-5	00 = None 10-99 Meter Stub
							Cable Stubs: I = I/O LT Riser C = OSP Flat Drop Diel L = OSP LT Dielectric T = OSP LT Armored R = OSP Ribbon Dielectric S = OSP Ribbon Armored		Cable Stubs: I = I/O LT Riser L = OSP LT Dielectric T = OSP LT Armored R = OSP Ribbon Dielectric S = OSP Ribbon Armored					

* 24 Feeder will reduce distribution by one cassette

** Feeder and distributor splicing is done inside cassettes, these trays are for express tables

HCCH-SC Series

ORDERING INFORMATION - INDIVIDUAL ITEMS / ACCESSORIES

BASE MODULE

Model No.	Description
HCCH3	HCC FDH Bottom Entry NEMA 3 for Indoor Use Rubber and Split Grommets
HCCH4	HCC FDH Bottom Entry NEMA 4 for Indoor and Outdoor Use Conduit

CASSETTES AND ADAPTER PLATES

Model No.	Description
HPC-12RSAR	Patch & Splice Cassette 12 Fiber SC-APC Ribbon
HPC-12RSA9	Patch & Splice Cassette 12 Fiber SC-APC 900um
HPC-12RSAN	Patch Cassette 12 SC-APC Adapters only (no pigtails)
HPP-12RSAN	Adapter Plate 12 SC-APC (no pigtails)
HPC-12RSATM	MPO Cassette 12 Fiber SC-APC

PON SPLITTERS

Model No.	Style	Split Ratio	Description
LPS04080SA51	Mini PLC	Quad 1:8	LPS Mini Splitter Module Quad 1:8 SC-APC 51"
LPS02160SA51	Mini PLC	Dual 1:16	LPS Mini Splitter Module Dual 1:16 SC-APC 51"
LPS01320SA51	Mini PLC	1:32	LPS Mini Splitter Module 1:32 SC-APC 51"



LPS01320SA51

OTHER ACCESSORIES

Model No.	Description
FST-AUNIV	Splice Tray 24 Single / 6 Mass Fusion
FSK-HCC	Skirt Fixed 25"
ASK-HCC	Skirt Adjustable 25 – 51 Inch
PMB-HCC	Pole Mount Bracket Kit
HCCE-PORT	Cable Entry Split 3-Piece with Grommet
HCCN-GROM	Cable Entry Conduit ¾, 1, 1.5 Inch with Cone
HCCR-GROM	Cable Entry Rubber Grommet

Note: Other options and accessories are also available - please contact Tii customer service.

THE LPS PRODUCT IS MADE SUBJECT TO A LICENSE FROM CORNING OPTICAL COMMUNICATIONS, LLC

INFORMATION CONTAINED IN THIS PUBLICATION IS PROVIDED ONLY FOR YOUR CONVENIENCE AND IS SUBJECT TO CHANGE WITHOUT NOTICE. TII TECHNOLOGIES MAKES NO REPRESENTATIONS OR WARRANTIES OF ANY KIND WHETHER EXPRESS OR IMPLIED, WRITTEN OR ORAL, STATUTORY OR OTHERWISE, RELATED TO THE INFORMATION, INCLUDING BUT NOT LIMITED TO ITS CONDITION, QUALITY, PERFORMANCE, MERCHANTABILITY OR FITNESS FOR PURPOSE; AND TII TECHNOLOGIES DISCLAIMS ALL LIABILITY ARISING FROM THE USE OF THIS INFORMATION.