

FDT Series

Outdoor Fiber Distribution Terminals

FTTx

PON

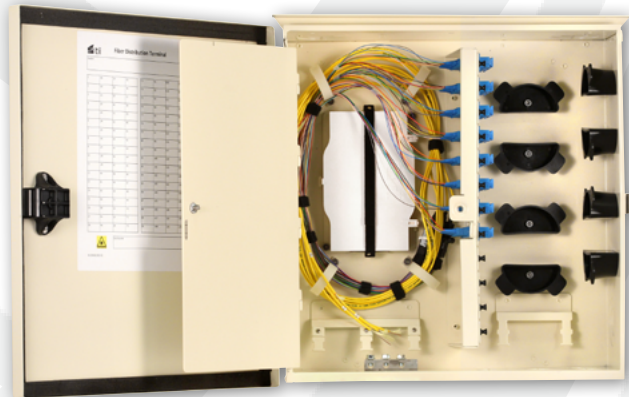
MDU

Wireless

Utility/Municipality



FDT1BR5C9



FDT2CR5C9

The FDT Series Outdoor Fiber Distribution Terminals provide splicing connectivity to the OSP feeder fiber and an SC-APC point of demarcation for customer drop terminations. Multiple connector types such as SC-APC and LC-APC and others can be installed in the FDT. The weatherproof designs are ideally suited for outdoor installations, and have field installable adapter plates supporting up to 144 patch and splice fiber terminations. Two compartments separate the feeder terminations from the distribution terminations, and are protected by a lockable outer door.

KEY PRODUCT BENEFITS

- ▶ Provides demarcation point between feeder fiber and customer drop fiber
- ▶ Separate feeder splice and customer drop compartments
- ▶ Ample customer drop slack storage
- ▶ Inner splice chamber cover and outdoor cover each individually secured with 216 tool compatible 3/8" hex head bolt and are pad-lockable
- ▶ Flexible cable entry and exit ports accommodate PVC conduit adapters or standard NPT cable glands. Entry/exit ports provide strength member clamps and accommodations for hose clamps
- ▶ Flexible cable entry and exit ports accommodate PVC conduit adapters or standard NPT cable glands
- ▶ Internal ground bus-bar with three 216 Hex screws and one external ground lug
- ▶ Inner cover is removable for easy installation/maintenance and can be used as a shelf to hold equipment during splicing
- ▶ Available with Splice Trays, Pigtailed and Adapter panels

INDUSTRY STANDARDS

- ▶ Meets NEMA4 and GR-2898 Requirements



Tii Technologies Inc.

Corporate Headquarters:

141 Rodeo Drive

Edgewood, NY 11717

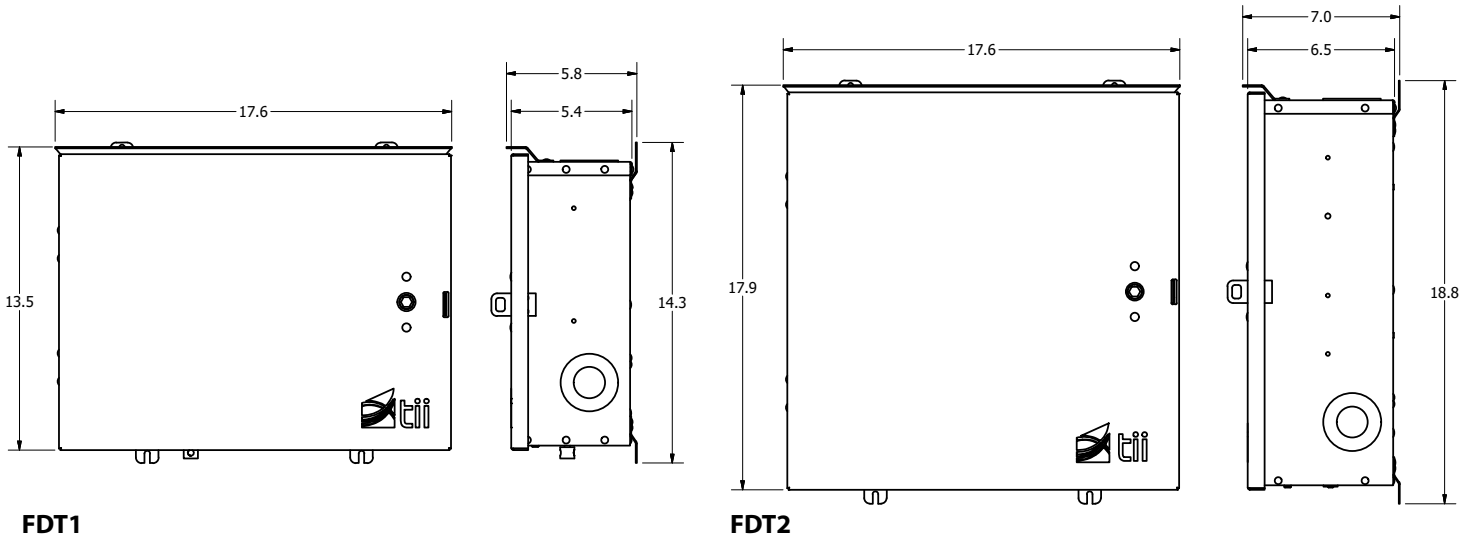
Phone: 631.789.5000

Fax: 631.789.5063

Toll Free: 888.844.4720

sales@tiitech.com

FDT Series



Dimensions are in Inches

BASE PANEL	LGX PLATE CAPACITY	SPLICE TRAY CAPACITY	FEEDER			DISTRIBUTION				
			1" CONDUIT		COMBO 1" OR 2" CONDUIT		COMBO 1" OR 2" CONDUIT			1" CONDUIT
			BOTTOM	SIDE	TOP	BOTTOM	SIDE	TOP	BOTTOM	
FDT1	4	6	3	1	1	2	1	1	0	
FDT2	12	12	3	1	1	2	1	1	3	

ORDERING INFORMATION/ACCESSORIES

Model No.	Description
FDT1	Fiber Distribution Terminal 4 Plate 6 Tray Capacity Empty
FDT2	Fiber Distribution Terminal 12 Plate 12 Tray Capacity Empty
FST-ASF24	Splice Tray 24 Single Fusion
FST-AMF06	Splice Tray 6 Mass Fusion 72 Fibers
KT-CG-NPT-1	Cable Compression Gland NPT 1" (0.748 - 1.0")



**PSC CASSETTE
COMPATIBLE**
(see below)

MODEL NUMBER MATRIX

FDT	X	X	X	XX	X
	Series	Fiber Ports	Fiber Type	Adapters	Pigtails
	1	B = 12	R = Singlemode	LC = LC	A = PSC Single Fusion
	2	C = 16	K = MM62.5 OM1	SC = SC	B = PSC Mass Fusion
		F = 24	S = MM50 OM3	SA = SC APC	E = PSC No Pigtail
		J = 48			P = Plate Adapters only
		L = 72			5 = 250um Pigtails
		N = 96			9 = 900um Pigtails
		P = 144			R = 12 Fiber Ribbon Pigtail