

## 509F Series

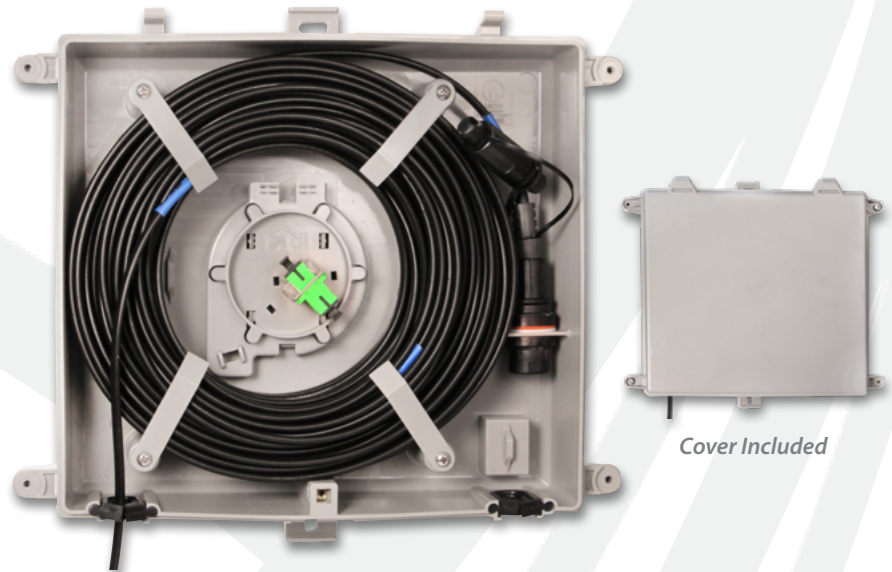
### Fiber Interface Device/Slack Storage Unit

CPE/Premise Wiring

DOT

FTTx

PON



509F-01-01-01

*Shown with 90 ft. of OSP Drop Cable, hardened fiber connector to SC Adapter (not included) and FP01-01-01 Fiber Adapter Plate (sold separately)*

Tii's 509F Fiber Interface Device provides termination of the OSP fiber drop and demarcation to the customer fiber drop, as well as slack storage for up to 90ft. of fiber drop cable. It may be used as a standalone unit, or mated to the OD-ONT-ENC Outdoor ONT Enclosure. The 509F accommodates a fiber adapter plate with multiple SC adapter options.

This rugged enclosure is constructed of superior materials capable of withstanding harsh outdoor environments including UV degradation, rain and snow, chemical exposure, and extreme temperatures.

#### KEY PRODUCT BENEFITS

- ▶ Slack storage for up to 90 feet of OSP fiber drop cable
- ▶ Rotating slack retention fingers for OSP drop cable or buffer tubes
- ▶ Multiple slack management tie down points
- ▶ Mounting provision for hardened fiber connector to SC Adapter (not included)
- ▶ Multiple adapter plate configurations available:  
Up to 4 port patch with 2 fusion splice capacity
- ▶ Mounts directly to wall, or below OD-ONT-ENC enclosure
- ▶ Integrated cable management and strain relief features for cable entry/exit ports
- ▶ Multiple grommeted cable entry/exit ports
- ▶ Includes cover for standalone slack storage applications
- ▶ Cover closes securely with provided captive screws

#### INDUSTRY STANDARDS

- ▶ Telcordia 3rd party tested to applicable GR-487 specifications

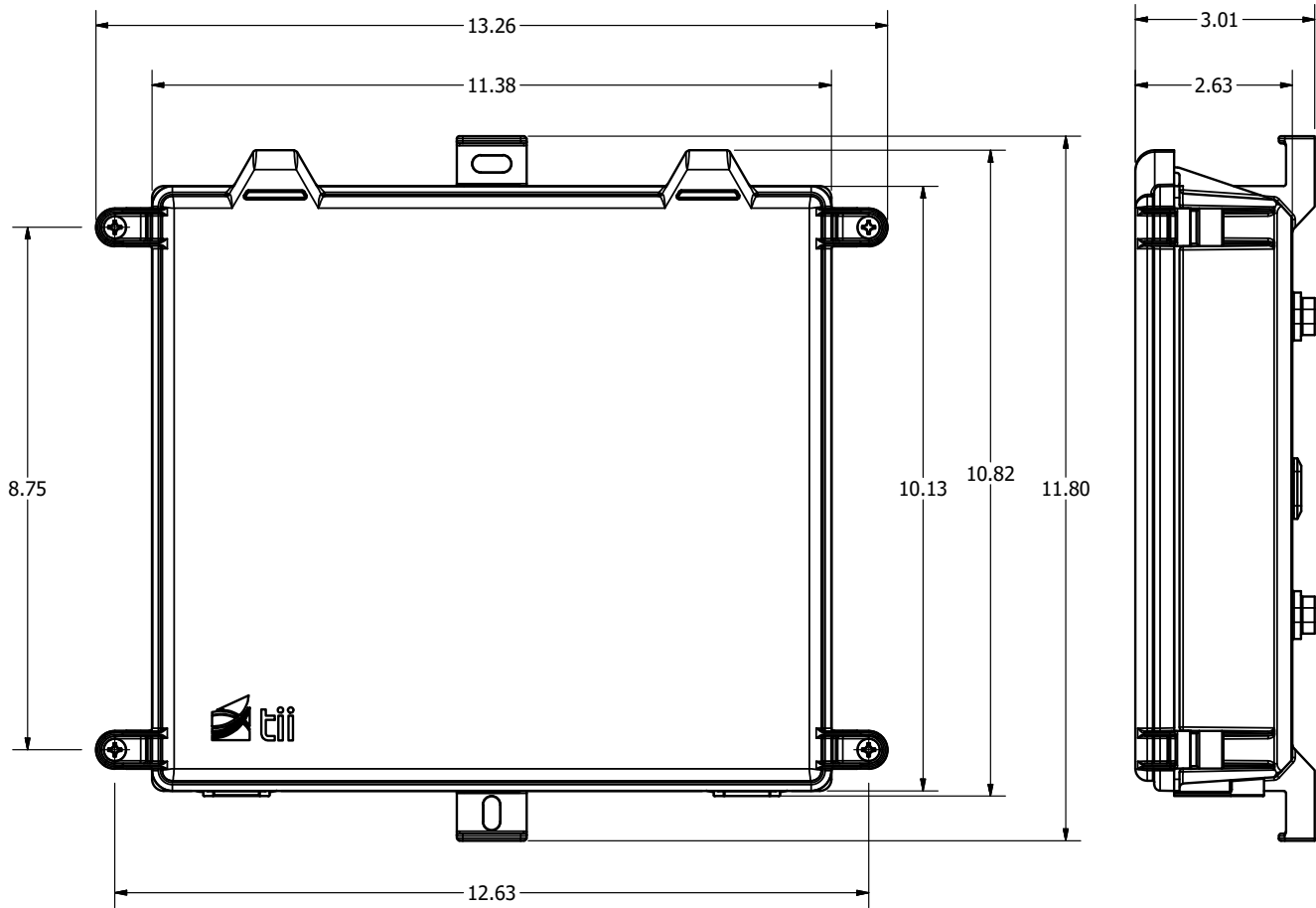


**Tii Technologies Inc.**

**Corporate Headquarters:**

141 Rodeo Drive  
Edgewood, NY 11717  
Phone: 631.789.5000  
Fax: 631.789.5063  
Toll Free: 888.844.4720  
sales@tiitech.com

# 509F Series



Dimensions are in Inches

## CUSTOM MODEL NUMBER MATRIX

509F	-XX	-XX	-XX
	Adapter Mounting Options	Adapter Type	# of Ports
	00 = No Plate	00 = None	00 = 0
	01 = Fiber Plate (1, 2, or 4 adapters only)	01 = SC-APC	01 = 1
		02 = SC-UPC	02 = 2
			04 = 4

## COMMON CONFIGURATIONS

Model No.	Description	Standard Pkg.
<b>509F</b>	Fiber Interface Device / Slack Storage	
<b>509F-01-01-01</b>	Fiber Interface Device / Slack Storage 1 Port SC-APC Adapter Plate	14 ea. 41" x 14" x 12.75" - 26 lbs.
<b>509F-01-01-02</b>	Fiber Interface Device / Slack Storage 2 Port SC-APC Adapter Plate	

INFORMATION CONTAINED IN THIS PUBLICATION IS PROVIDED ONLY FOR YOUR CONVENIENCE AND IS SUBJECT TO CHANGE WITHOUT NOTICE. TII TECHNOLOGIES MAKES NO REPRESENTATIONS OR WARRANTIES OF ANY KIND WHETHER EXPRESS OR IMPLIED, WRITTEN OR ORAL, STATUTORY OR OTHERWISE, RELATED TO THE INFORMATION, INCLUDING BUT NOT LIMITED TO ITS CONDITION, QUALITY, PERFORMANCE, MERCHANTABILITY OR FITNESS FOR PURPOSE; AND TII TECHNOLOGIES DISCLAIMS ALL LIABILITY ARISING FROM THE USE OF THIS INFORMATION.