

OC-ONT

NEMA 4X Rated Outdoor Cabinet

Utility/Municipality
Wireless



OC-ONT-1-1

The OC-ONT is a NEMA 4X rated cabinet designed to protect sensitive equipment providing service to wireless carriers and businesses. A convenient mounting bracket allows the cabinet to be installed to wood/metal utility poles or to flat surfaces.

KEY PRODUCT BENEFITS

- ▶ Removable back plate accommodates various equipment such as ONTs and power adapters
- ▶ Fiber management retainers
- ▶ Mountable to utility poles or flat surfaces
- ▶ Preinstalled GFCI Outlet
- ▶ Optional GigE Protector
- ▶ Opens with ¼ turn security latch or security lock
- ▶ Padlock provision (padlock not included)
Recommended padlock shank size: 5/16" Dia. x 1" Wide x 2-1/4" Long
- ▶ Weatherproof entry ports (glands) for Ethernet, Power and Fiber
- ▶ Internal and external ground provisions
- ▶ Constructed from 14 gauge (.063") aluminum, power coated, color beige

INDUSTRY STANDARDS

- ▶ UL Listed
- ▶ Telcordia 3rd Party Tested to GR-487
- ▶ NEMA 4X rated

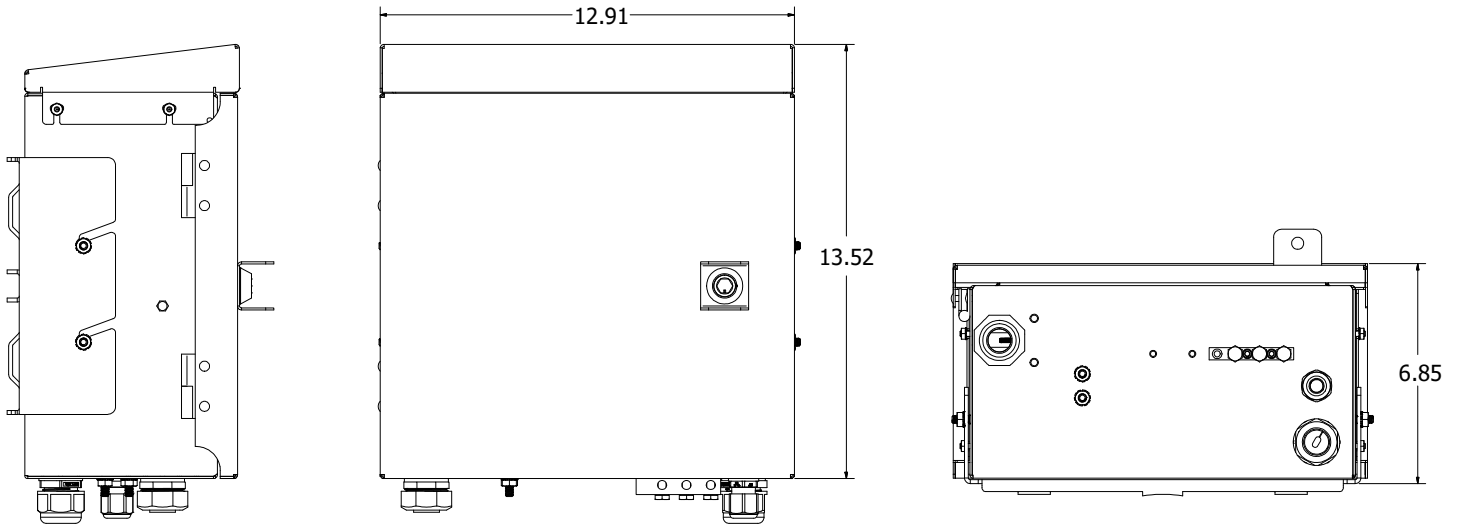


Tii Technologies Inc.

Corporate Headquarters:

141 Rodeo Drive
Edgewood, NY 11717
Phone: 631.789.5000
Fax: 631.789.5063
Toll Free: 888.844.4720
sales@tiitech.com

OC-ONT



Dimensions are in Inches

ORDERING INFORMATION

OC-ONT	X	X
	Back Plate Type	Protector
	1 = STD ONT/PA <i>Call for custom plate options</i>	N = None 1 = 372S-4G

ACCESSORIES

Model No.	Description
372S-4G	Replacement Gigabit Ethernet Surge Protection Module with RJ-45 Pigtail