

## 36-144 Fiber Distribution

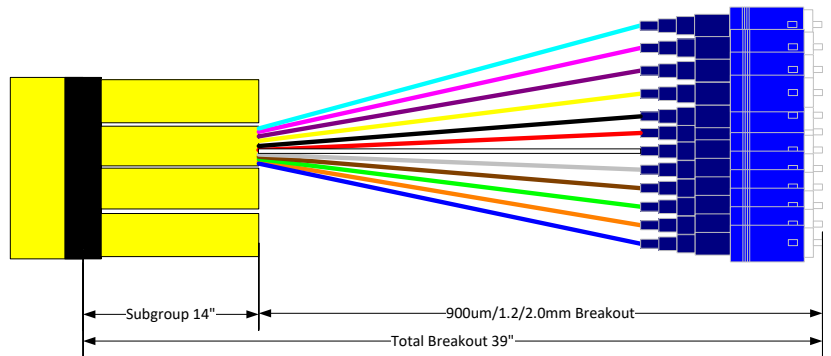
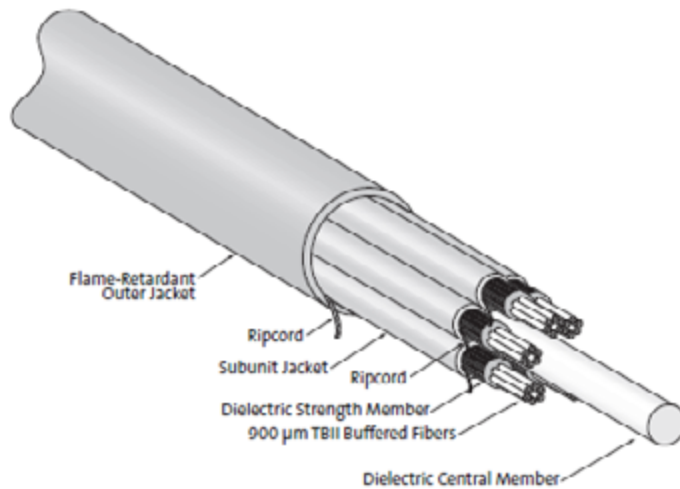
### Indoor Tight Buffer 900um Distribution Cable

CPE/Premise Wiring

Data Center

Headend/CO

Utility/Municipality



RHDUR1-SCSC001M-09

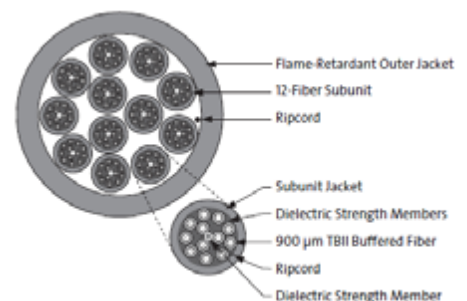
Indoor tight buffer 900um distribution cable, designed for routing inside buildings, data centers, telecommunications rooms and work stations. Available in both Riser and Plenum rated jackets. Assemblies are factory terminated to length to save considerable time and money by eliminating the need for field terminations.

#### KEY PRODUCT BENEFITS

- ▶ Tight Buffer 900um fiber strands
- ▶ Available with pulling grip installed

#### INDUSTRY STANDARDS

- ▶ Meets GR-409 requirements



Tii Technologies Inc.

Corporate Headquarters:  
141 Rodeo Drive  
Edgewood, NY 11717  
Phone: 631.789.5000  
Fax: 631.789.5063  
Toll Free: 888.844.4720  
sales@tiitech.com

# Indoor Tight Buffer 900um Distribution Cable

## SPECIFICATIONS

	36 Fiber	48 Fiber	72 Fiber	96 Fiber	144 Fiber
Diameter	0.58 in.	0.69 in.	0.74 in.	0.91 in.	0.94 in.
Weight (per 1,000 ft.)	151 lb.	215 lb.	229 lb.	335 lb.	342 lb.
Min Bend Radius Loaded/Installed	8.7/ 5.8 in.	10.4 / 6.9 in.	11.0 / 7.4 in.	13.6 / 9.1 in.	14.1 / 9.4 in.
Max Loading Short Term/Installed	148 / 45 lb.				
Operational Temperature Range	0° to + 70° C				
Fiber Code	R	K	C	S	
Fiber Type	Singlemode	MM62.5 OM1	MM50 OM2	MM50 OM3	
Wavelength (nm)	1310/1550 nm	850/1300 nm	850/1300 nm	850/1300 nm	
Maximum Attenuation (dB/km)	1.0/0.75 dB/km	3.5/1.0 dB/km	3.5/1.5 dB/km	3.0/1.5 dB/km	
Serial Gigabit Distance (m)	5000/ - m	300/550 m	600/600 m	1000/600 m	
Serial 10 Gigabit Distance (m)	10000/40000 m	33/m	82/m	300/m	
Flame Rating	Available in OFNR (FT-4) or OFNP (FT-6)				
Insertion Loss	Singlemode <=0.3dB, Multimode <=0.4dB				
Back Reflection	Singlemode <=-55dB, UPC -65dB APC, Multimode <=-25dB				

## ORDERING INFORMATION

<b>X</b>	<b>X</b>	<b>D U X</b>	<b>X</b>	<b>— XX</b>	<b>XXX</b>	<b>X</b>	<b>— 0 9 XX</b>
Mode	Fibers	Fire Rating	Jacket Color	Connectors	Length	UOM	Optional
R = Singlemode	H = 36	R = Riser	1 = Blue	FC = FC	3 Digit	F = Feet	PE = Pulling Grip
K = MM62.5 OM1	J = 48	P = Plenum	2 = Orange (K, C)	FA = FC APC	(ex. 001 = 1)	M = Meters	
C = MM50 OM2	L = 72		3 = Green	LC = LC			
S = MM50 OM3	N = 96		4 = Brown	LA = LC APC			
	P = 144		7 = Red	SC = SC			
			8 = Black	SA = SC APC			
			9 = Yellow (R)	ST = ST			
			A = Aqua (S)	NA = Pigtail			