

RTK Series

Riser Tube Kit

CPE/Premise Wiring

DOT

Utility/Municipality



Tii's Riser Tube Kit (RTK) are manufactured from UV stabilized, thinwall PVC to meet the need for large capacity buried copper, coaxial, fiber, and hybrid service drops. The tube is lightweight, easy-to-handle, and can be easily cut on-site with a hacksaw or knife. The RTK is ideal for providing neat, inexpensive protection from weather degradation, snagging, and vandalism for all buried service wire installations. The RTK is also available in a "slotted" version, the RTK-S, for simple and quick installations as well as non-service affected retrofits.

KEY PRODUCT BENEFITS

- ▶ Ideal for Large Capacity Buried Copper, Coaxial, Fiber, and Hybrid Service Drops
- ▶ The RTK includes a notched riser which provides neat service wire point of exit that matches up to most NIDs
- ▶ The RTK is constructed from a thin PVC which is lightweight and allows for on-site customization to fit customer premise wiring
- ▶ Can Be Cut On-Site to Fit Customer Premise Wiring
- ▶ Protects from Weather Degredation, Snagging, and Vandalism
- ▶ The PVC material will not rust, dent, or corrode
- ▶ Available in a "slotted" version for simple, quick installation

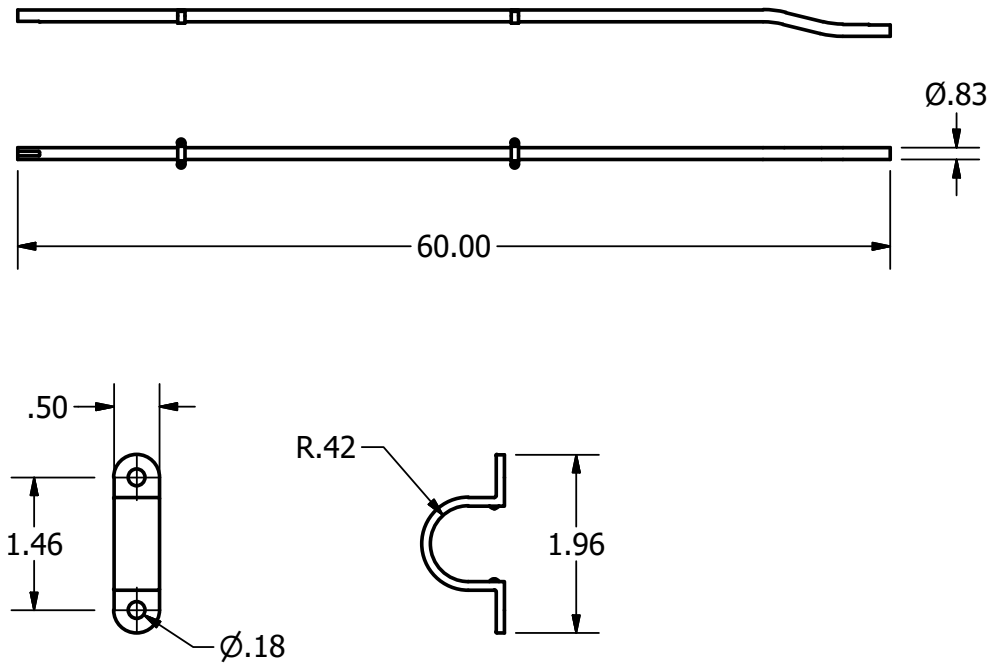


Tii Technologies Inc.

Corporate Headquarters:

141 Rodeo Drive
Edgewood, NY 11717
Phone: 631.789.5000
Fax: 631.789.5063
Toll Free: 888.844.4720
sales@tiitech.com

RTK Series



Dimensions are in Inches

ORDERING INFORMATION

Model No.	Description
RTK	Riser Tube Kit
RTK-S	Riser Tube Kit with 1/4" Slotted Tube
RTK-CL	Clamp Kit; 2 Clamps and Screws