

761-4T-12

Flush Mount POTS Splitter for VDSL2/ADSL2+, IPTV Services

CPE/Premise Wiring

MDU

Utility/Municipality



The 761-4T-12 Series POTS Splitter splits the combined voice and data signals carried on telephone lines providing separate outputs for both phone and data services. The 761-4T-12 utilizes enhanced circuit components to meet VDSL2/ADSL2+ splitter specifications for advanced data and IPTV deployments.

KEY PRODUCT BENEFITS

- ▶ The unit's unique design provides customer bridging and DSL POTS splitting in one product
- ▶ The 761-4T-12 is a standard wall plate sized device and can be located at any telephone jack location
- ▶ Tii's splitter design makes it possible to use a single phone line to provide triple play services including VDSL2/ADSL2+ and IPTV
- ▶ Dual conductor gold plated RJ-11 jack for reliable RJ-11 connection
- ▶ Tool-less IDC rocker for telephone wire connections on the back side of the jack plate
- ▶ All contacts are rated for 1.5 Amp max current
- ▶ IDC rockers are gel-filled for long-term reliable connections
- ▶ Tii's wall jack splitter is designed to easily install inside a standard wall mount electrical box
- ▶ The 761-4T-12 comes with an adapter ring which is required for installation in homes of older construction where a standard outlet enclosure is not available. The 761-4T-12 readily mounts to this adapter ring

INDUSTRY STANDARDS

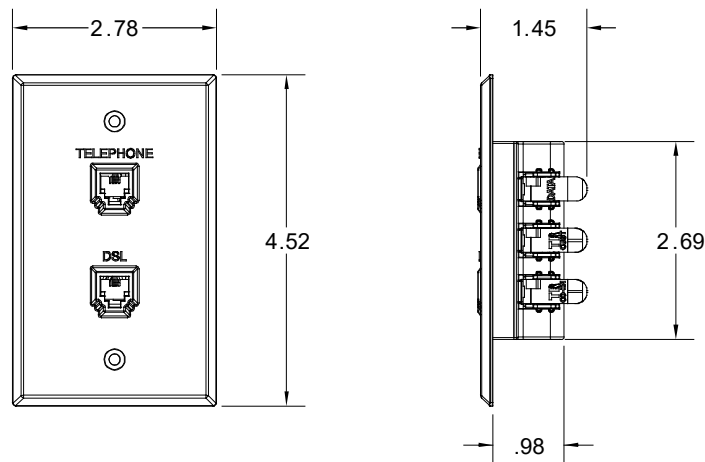
- ▶ ANSI T1.424 Compliant to full VDSL2 30MHz bandwidth



Tii Technologies Inc.

Corporate Headquarters:

141 Rodeo Drive
Edgewood, NY 11717
Phone: 631.789.5000
Fax: 631.789.5063
Toll Free: 888.844.4720
sales@tiitech.com



Dimensions are in Inches

SPECIFICATIONS

Electrical (Complies with ANSI T1.424 Issue 2 Annex E)

DC Loop Current	0 to 100 mA
DC Loop Voltage (tip-to-ring)	0 to -60Vdc
Ringing Signals	103 Vrms superimposed on the DC Loop Voltage; 20 - 30 Hz
DC Resistance	< 20 ohms, POTS tip-to-ring with Line port (U-R) shorted
Insertion Loss (Short & Long Loop)	≤ 0.5 dB
Tip-to-Ring Capacitance, POTS port	20 ≤ C ≤ 100 nF; 20 - 30 Hz
Input Impedance (Measured Level)	≤ 0.25 Db; 30 kHz - 30 MHz, ZTr = 600
Attenuation Distortion (Voice Band), Increase relative to Insertion Loss at 1004 Hz	+0.7 to -0.5dB; 200 - 3.4 kHz, short loop, ZTc = 900, ZTr = 600 +0.7 to -0.5dB; 3.4 - 4.0 kHz, short loop, ZTc = 900, ZTr = 600 +0.4 to -0.5dB; 200 - 3.4 kHz, long loop, ZTc = 900, ZTr = 600 +0.5 to -0.5dB; 3.4 - 4.0 kHz, long loop, ZTc = 900, ZTr = 600
Delay Distortion (Voice Band)	< 25μs
Return Loss (Voice Band) (Short & Long Loop)	> 7 dB
Longitudinal Balance, Two Port Technique, DSL to Line Port (U - R) and Line Port (U - R) to POTS	> 60 dB; 30 - 1100 kHz > 55 dB; 1100 kHz - 30 MHz
Capacitance to Ground, POTS Port	≤ 1.0 nf; 20 - 30 Hz
DSL Band Attenuation	> 65 dB; 30 kHz - 30 MHz
DC Current Influence (Ring Trip)	< 2% up to 300 mA
Inter-modulation Distortion (MTPR)	30 kHz - 30 MHz

Environmental

Lightning Surge	GR-1089 CORE Level 1 and Level 2 Surge
Power Cross	GR-1089 CORE First and Second Level AC Power Fault Immunity
Operating Temperature	-40 to +65°C (-40 to 149°F)
Relative Humidity	0 to 95%, non-condensing
UL Listed	As a communication circuit accessory

ORDERING INFORMATION

Model No.	Description
761-4T-12	VDSL2/ASDL2+ POTS Splitter Wall Plate