

## 372S-12LP

### *DSL POTS Splitter Module for VDSL2/ADSL2+, IPTV Services*

CPE/Premise Wiring

MDU

Utility/Municipality



The 372S-12LP DSL POTS Splitter Module splits the combined voice and data signals carried on telephone lines providing separate outputs for both phone and data services. This splitter module utilizes enhanced circuit components to meet VDSL2/ADSL2+ splitter specifications for advanced data and IPTV deployments.

#### KEY PRODUCT BENEFITS

- ▶ Unique design provides customer bridging and DSL POTS splitting in one module
- ▶ Module easily mounts on the telco side of the NID and occupies only one position, thereby not compromising the NID's overall capacity
- ▶ Designed for use in a wide variety of Network Interface Devices (NIDs) at the customer premises. Compatible with Tii's 3700, 3600 and 9600 NID footprints
- ▶ Tii splitter design makes it possible to use a single phone line to provide triple play services including VDSL2/ADSL2+ and IPTV

#### INDUSTRY STANDARDS

- ▶ ANSI T1.424 - Compliant to full VDSL2 30MHz bandwidth
- ▶ Listed to UL 1863 and CSA 22.2, No. 182.4-M90

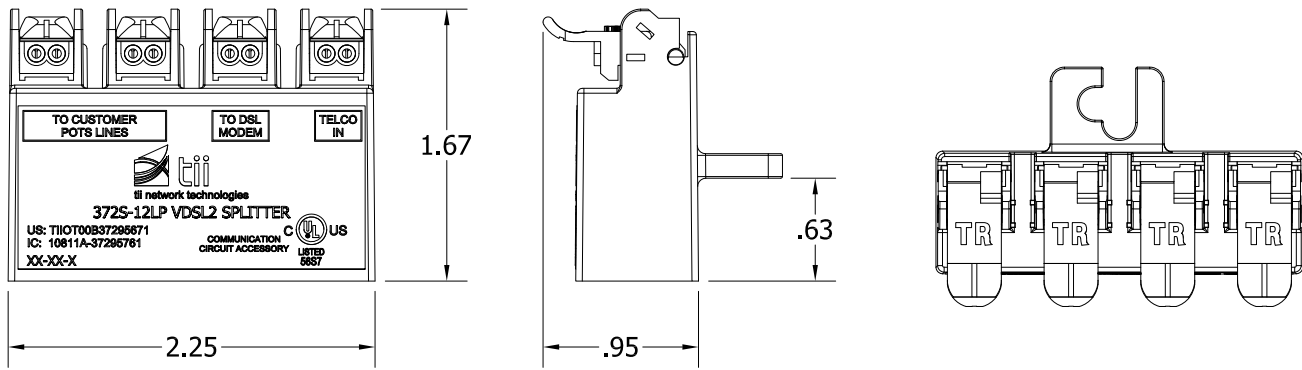


**Tii Technologies Inc.**

**Corporate Headquarters:**

141 Rodeo Drive  
Edgewood, NY 11717  
Phone: 631.789.5000  
Fax: 631.789.5063  
Toll Free: 888.844.4720  
sales@tiitech.com

# 372S-12LP



Dimensions are in Inches

## SPECIFICATIONS

### ELECTRICAL (COMPLIES WITH ANSI T1.424 ISSUE 2 ANNEX E)

DC Loop Current	0 to 100 mA
DC Loop Voltage (tip-to-ring)	0 to -60Vdc
Ringing Signals	103 Vrms superimposed on the DC Loop Voltage; 20 - 30 Hz
DC Resistance	< 20 ohms, POTS tip-to-ring with Line port (U-R) shorted
Insertion Loss (Short & Long Loop)	≤ 0.5 dB
Tip-to-Ring Capacitance, POTS port	20 ≤ C ≤ 100 nF
Input Impedance (Measured Level)	≤ 0.25 Db; 30 kHz - 30 MHz, ZTr = 600
Attenuation Distortion (Voice Band), increase relative to Insertion Loss at 1004 Hz	+0.7 to -0.5dB; 200 - 3.4 kHz, short loop, ZTc = 900, ZTr = 600 +0.7 to -0.5dB; 3.4 - 4.0 kHz, short loop, ZTc = 900, ZTr = 600 +0.4 to -0.5dB; 200 - 3.4 kHz, long loop, ZTc = 900, ZTr = 600 +0.5 to -0.5dB; 3.4 - 4.0 kHz, long loop, ZTc = 900, ZTr = 600
Delay Distortion (Voice Band)	< 25μs
Return Loss (Voice Band) (Short & Long Loop)	> 7 dB
Longitudinal Balance, Two Port Technique, DSL to Line Port (U - R) and Line Port (U - R) to POTS	> 60 dB; 30 - 1100 kHz > 55 dB; 1100 kHz - 30 MHz
Capacitance to Ground, POTS Port	≤ 1.0 nF
DSL Band Attenuation	> 65 dB; 30 kHz - 30 MHz
DC Current Influence (Ring Trip)	< 2% up to 300 mA
Inter-modulation Distortion (MTPR) for 2nd Order	> 85 dBc
for 3rd Order	> 75 dBc

### ENVIRONMENTAL

Lightning Surge	GR-1089 CORE Level 1 and Level 2 Surge
Power Cross	GR-1089 CORE First and Second Level AC Power Fault Immunity
Operating Temperature	-40 to +65°C (-40 to 149°F)

## ORDERING INFORMATION

Model No.	Description
372S-12LP	VDSL2/ASDL2+ POTS Splitter

INFORMATION CONTAINED IN THIS PUBLICATION IS PROVIDED ONLY FOR YOUR CONVENIENCE AND IS SUBJECT TO CHANGE WITHOUT NOTICE. TII TECHNOLOGIES MAKES NO REPRESENTATIONS OR WARRANTIES OF ANY KIND WHETHER EXPRESS OR IMPLIED, WRITTEN OR ORAL, STATUTORY OR OTHERWISE, RELATED TO THE INFORMATION, INCLUDING BUT NOT LIMITED TO ITS CONDITION, QUALITY, PERFORMANCE, MERCHANTABILITY OR FITNESS FOR PURPOSE; AND TII TECHNOLOGIES DISCLAIMS ALL LIABILITY ARISING FROM THE USE OF THIS INFORMATION.