

## IF Series

### Indoor Fixed BET and BET/NID

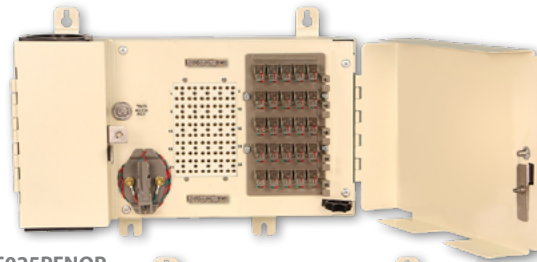
CPE/Premise Wiring

MDU

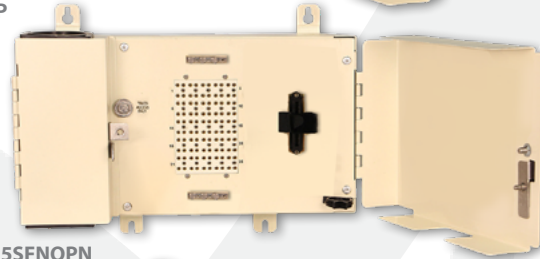
Utility/Municipality

DOT

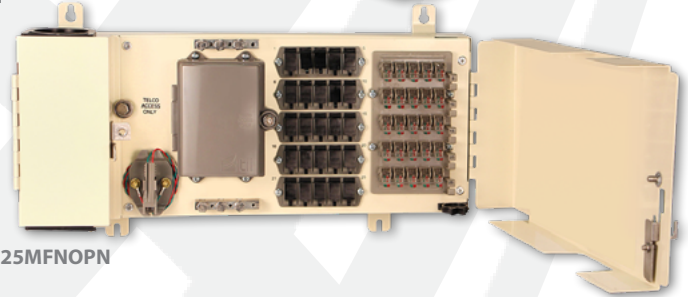
Wireless



IF025PFNOP



IF025SFNOPN



IF025MFNOPN

Tii's IF Series Fixed Indoor BETs and BET/NIDs serve as network demarcation and distribution points to protect and distribute central office cable pairs at the subscribers' premises.

BET/NIDs utilize the Tii Auto-Jack® to accomplish demarcation point testing. When engaged, the Auto-Jack® connects the RJ11 test plug contacts to the Central Office (CO) for dial tone validation, while disconnecting the customer from the circuit.

#### KEY PRODUCT BENEFITS

- ▶ Available in 25, 50 and 100 pair counts
- ▶ Industry standard 5-pin protector field sealed to protect from moisture and corrosion
- ▶ Available with factory installed solid state or gas tube protectors
- ▶ Variety of options for input and output cable terminations including Toolless IDC
- ▶ CAT5e transmission performance
- ▶ 1:1 Cross Connect versions available
- ▶ Outer cover and splice chamber requires 216 tool for access
- ▶ Pad-lockable with Telco override
- ▶ Steel construction; beige powder coat
- ▶ Stackable for additional capacity using Tii's BET-STK-KIT

#### INDUSTRY STANDARDS

- ▶ IDC Connector - Telcordia TR-NWT-001195
- ▶ BET - Telcordia GR-937/GR-2916
- ▶ NID - Telcordia GR-49/GR-239
- ▶ UL Listed to 497

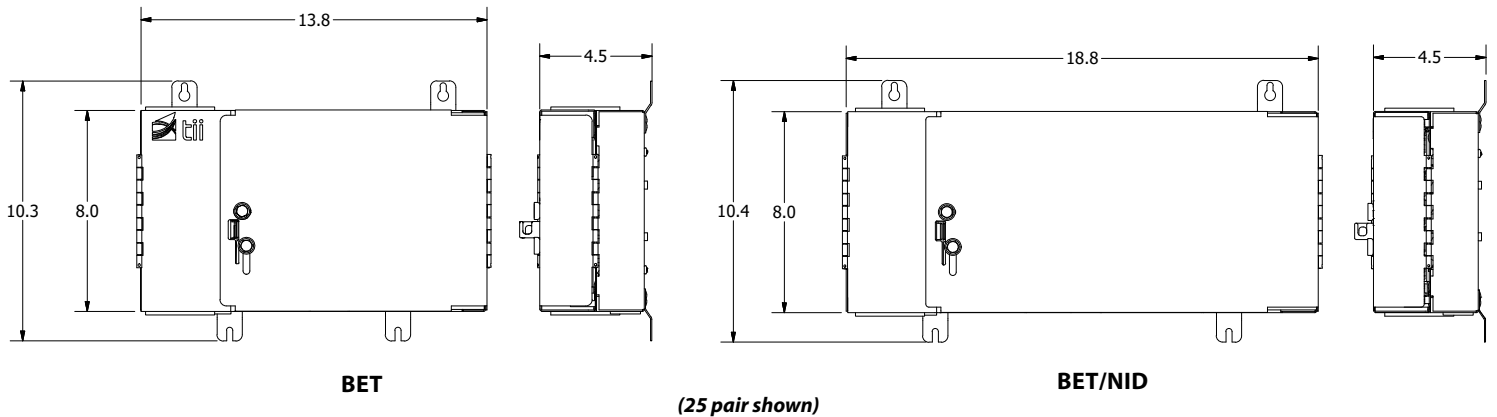


**Tii Technologies Inc.**

**Corporate Headquarters:**

141 Rodeo Drive  
Edgewood, NY 11717  
Phone: 631.789.5000  
Fax: 631.789.5063  
Toll Free: 888.844.4720  
sales@tiitech.com

# IF Series BETs



Dimensions are in Inches

|                           | Pair Count | Dimensions (height x width x depth) |
|---------------------------|------------|-------------------------------------|
| <b>BET</b>                | 25         | 8" x 13.8" x 4.5"                   |
|                           | 50         | 14" x 13.8" x 4.5"                  |
|                           | 100        | 14" x 19.5" x 4.5"                  |
| <b>BET/NID</b>            | 25         | 8" x 18.8" x 4.5"                   |
|                           | 50         | 14" x 18.8" x 4.5"                  |
|                           | 100        | 27.5" x 18.8" x 4.5"                |
| <b>BET with RJ21 only</b> | 25         | 8" x 13.8" x 4.5"                   |
|                           | 50         | 14" x 13.8" x 4.5"                  |
|                           | 100        | 14 x 19.5" x 4.5"                   |

## ORDERING INFORMATION

| IF         | XXX                                 | X         | F  | XXX                    | X             | XXX     | XX |
|------------|-------------------------------------|-----------|--|------------------------|---------------|---------|----|
| Pair Count | Output                              | Housing   | Protection                                       | Input                  | Cable Length  | OEM     |    |
| 025        | N = None                            | F = Fixed | NOP = No Protectors                              | G = Stub Cable         | 007 = 7 Ft.   | Contact |    |
| 050        | C = 66 Block                        |           | 3B1ES = 300V Solid State Black, no Test Points   | H = 4005 GPM (MS2 Gel) | 025 = 25 Ft.  | Sales   |    |
| 100        | M = Tooless IDC & NID               |           | 3B1FS = 240V Solid State Black, no Test Points   | J = 4005 DPM/FR        | 050 = 50 Ft.  |         |    |
|            | P = Tooless IDC                     |           | 3B3ES = 300V Solid State Red, no Test Points     | (MS2 Fire Retardant)   | 100 = 100 Ft. |         |    |
|            | R = Tooless IDC & RJ21              |           | 3B3FS = 240V Solid State Red, no Test Points     | K = 4005 DBM (MS2 Dry) |               |         |    |
|            | S = RJ21                            |           | 3C1ES = 300V Solid State Black, Test Points      | P = 710 SC1 (710 Gel)  |               |         |    |
|            | T = Tooless IDC & 1:1 Cross Connect |           | 3C1FS = 240V Solid State Black, Test Points      | T = 710 SD1 (710 Dry)  |               |         |    |
|            |                                     |           | 3C3ES = 300V Solid State Red, Test Points        | N = Raw Cable          |               |         |    |
|            |                                     |           | 3C3FS = 240V Solid State Red, Test Points        |                        |               |         |    |
|            |                                     |           | 6B1E = 350V Gas Tube, Black, PTC, no Test Points |                        |               |         |    |
|            |                                     |           | 6C1E = 350V Gas Tube, Black, PTC, Test Points    |                        |               |         |    |
|            |                                     |           | 3B1E = 350V Gas Tube, Black, no no Test Points   |                        |               |         |    |
|            |                                     |           | 3C1E = 350V Gas Tube, Black, Test Points         |                        |               |         |    |