

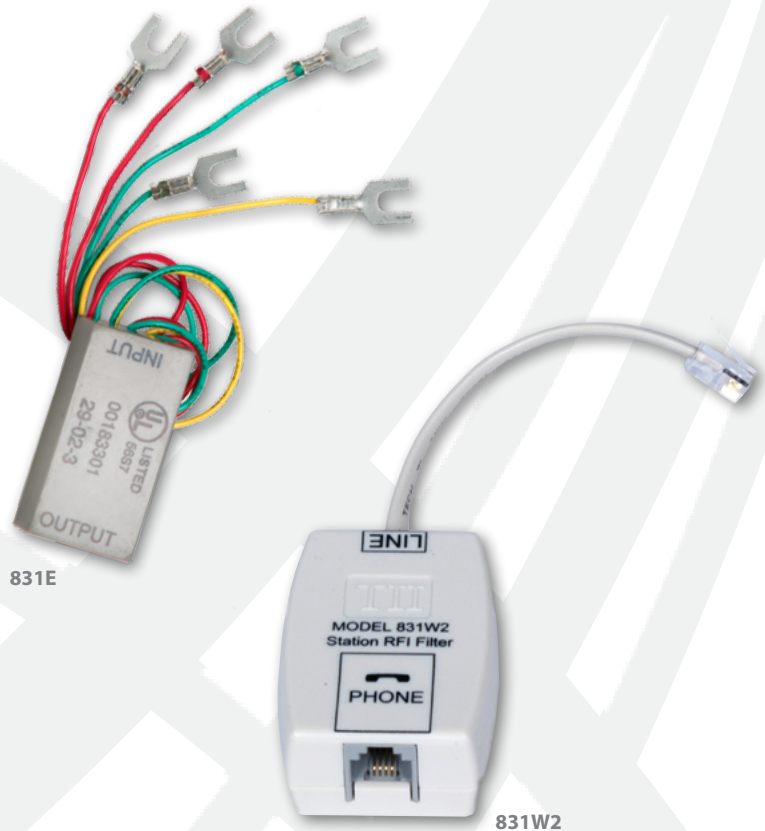
831 Series

Radio Frequency Filters

CPE/Premise Wiring

MDU

Utility/Municipality



831 Series broadband low-pass filters eliminate undesirable interference from AM, FM and CB radio signals.

KEY PRODUCT BENEFITS

- ▶ Can be placed in series with the tip and ring conductors.
- ▶ The 831E is environmentally encapsulated in a plastic shell with 5 leads with spade connectors. One of the leads is used for ground. This version provides RFI metallic and longitudinal filtering.
- ▶ The 831E can be easily mounted in a NID.
- ▶ The 831W2 is in an indoor housing equipped with Male RJ-11 Plug and Female RJ-11 Jack Out for easy installation.
- ▶ The circuitry is essentially transparent to the voice band frequency (300 Hz – 4 KHz).
- ▶ The tii 831 Series filters provide up to 55dB attenuation to radio frequency interference signals including AM, FM and CB radio on telephone lines.

INDUSTRY STANDARDS

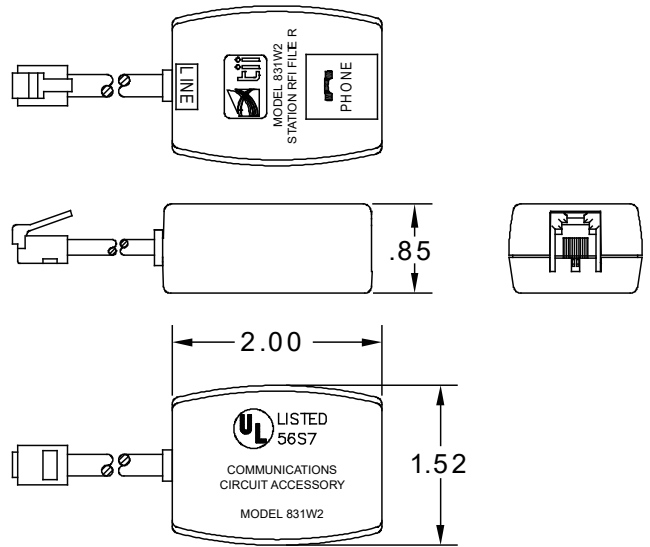
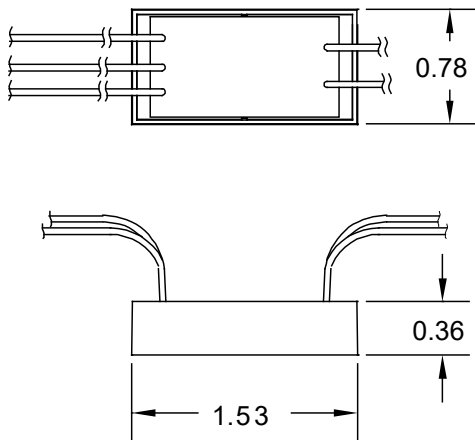
- ▶ Listed to UL 1863



Tii Technologies Inc.

Corporate Headquarters:

141 Rodeo Drive
Edgewood, NY 11717
Phone: 631.789.5000
Fax: 631.789.5063
Toll Free: 888.844.4720
sales@tiitech.com



Dimensions are in Inches

ORDERING INFORMATION

Model No.	Description
831E	RFI Filter in encapsulated shell equipped with 5 leads with spade connectors
831W2	RFI Filter in an indoor housing equipped with Male RJ-11 Plug and Female RJ-11 Jack Out