

CCP3 Series

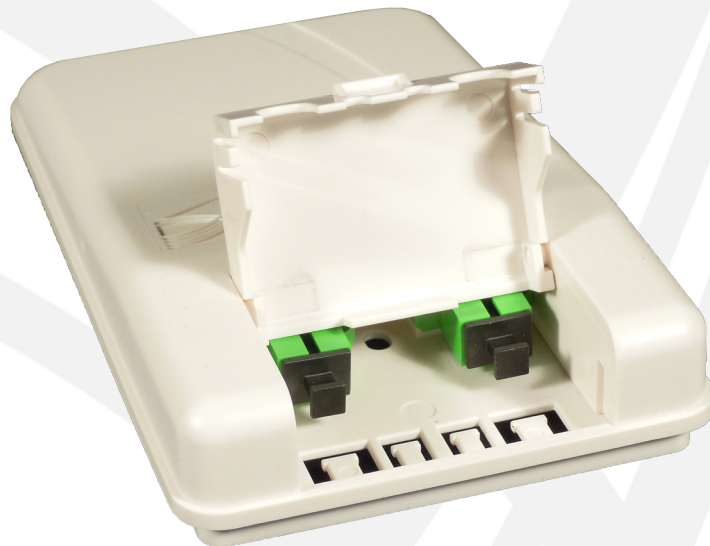
Fiber Optic Customer Connection Point

Ideally Suited as MDU and FTTH
ONT Access Point and FTTH
Desktop Access Point

Accommodates Up to 2 Fiber Ports

Direct Termination or Fusion
Splice Configurations

SC, SC-APC Interface



CCP3

The CCP3 Series is a compact, indoor wall mount fiber termination and distribution enclosure. This unit is typically used as MDU ONT access point, FTTH ONT access point as well as FTTH desktop access point.

KEY PRODUCT BENEFITS

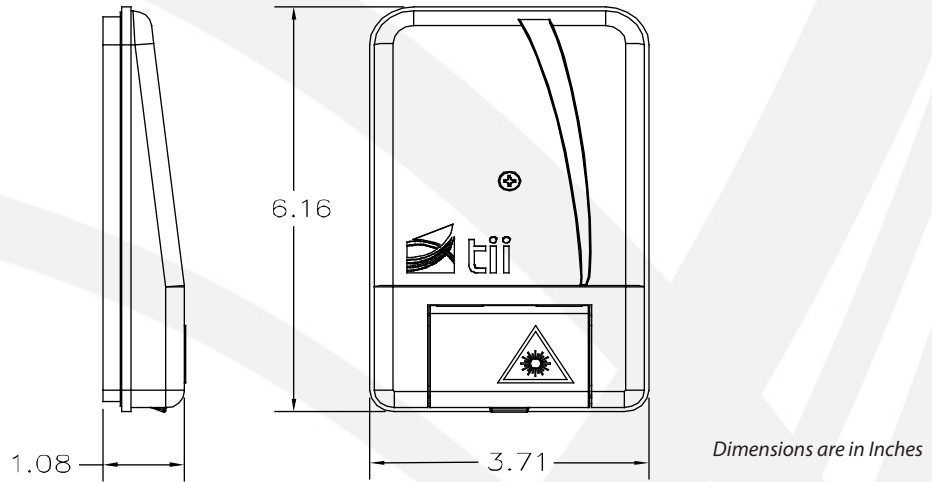
- ▶ Accommodates SC, SC-APC connectors.
- ▶ Compact design can terminate up to 2 fibers.
- ▶ Direct termination or fusion splice configurations.
- ▶ Ideally used as an access point for MDU and FTTH ONTs as well as FTTH.
- ▶ Multiple cable entry options.
- ▶ Available with factory loaded pigtails.



tii network technologies

141 Rodeo Drive
Edgewood, NY 11717
T. 631. 789.5000
Toll Free 888.844.4720
F. 631. 789.5063
sales@tiinetworktechnologies.com

CCP3 Series



SPECIFICATIONS

| Property | Value |
|---------------------|--------------------------|
| Interface | Up to 2 ports SC, SC-APC |
| Splice Capacity | 2 x 40mm |
| Physical Dimensions | 6.16"H x 3.71"W x 1.08"D |
| Material | Molded plastic, white |

ORDERING INFORMATION

| Model No. | Description |
|-----------|--|
| CCP3R1SAN | 1 PORT PATCH PANEL SC-APC |
| CCP3R1SA9 | 1 PORT PATCH & SPLICE PANEL SM SC-APC 900UM PIGTAIL |
| CCP3R1SCN | 1 PORT PATCH PANEL SC |
| CCP3R1SC9 | 1 PORT PATCH & SPLICE PANEL SM SC-UPC 900UM PIGTAIL |
| CCP3R2SAN | 2 PORT PATCH PANEL SC-APC |
| CCP3R2SA9 | 2 PORT PATCH & SPLICE PANEL SM SC-APC 900UM PIGTAILS |
| CCP3R1SCN | 2 PORT PATCH PANEL SC |
| CCP3R2SC9 | 2 PORT PATCH & SPLICE PANEL SM SC-UPC 900UM PIGTAILS |